



Division Avenue High School  
120 Division Avenue  
Levittown, NY 11756-2997  
(516) 434-7150



John Coscia, *Principal*

Daniel Fazio, *Assistant Principal*  
Mark Curtiss, *Guidance Chairperson*

Sam McElroy, *Assistant Principal*  
Christin Snow, *Special Ed Chairperson*

## **2023-24 DAHS PARENT PACKET INDEX**

1. Superintendent's Letter (*mailed*)
2. Welcome Letter – Mr. Coscia (*mailed*)
3. Back to School Night Letter & Schedule (*mailed*)
4. Opening Day Information Page (*mailed*)
5. Internet Agreement (*mailed*)  
**fill out, sign and return**
6. Student Behavior
7. Report Card Schedule/Meal Prices
8. Progress Report & Gradebook Letter
9. Calendar of Events
10. School Year Calendar
11. BOE Meeting Dates
12. Directory – Administration
13. Attendance Policy
14. Health Office Letter/Forms (*mailed*)  
**9<sup>th</sup> & 11<sup>th</sup> Grade fill out, sign and return**
15. Health Office 10<sup>th</sup> Grade BMI Letter  
**fill out, sign and return-optional**
16. Health Office 12<sup>th</sup> Grade Meningitis Letter  
**fill out, sign and return**
17. S.A.V.E. Act Letter/Code of Conduct (*mailed*)  
**fill out, sign and return**
18. School Map
19. Points Discipline Letter
20. DASA Letter
21. ESSA Letter
22. Pesticide Letter (*mailed*)  
**fill out, sign and return-optional**
23. Bell Schedule/Delayed Bell Schedule
24. Parent Letter for Seniors ~Yearbook Info
25. Parent Letter Lifetouch Photographers
26. Letter from Dr. Z ~ ParentSquare & Instructions to Update Parent Portal  
**with Contact & Medical Verification Form (mailed) fill out, sign and return**
27. Photo Permission Form (*mailed*)  
**fill out, sign and return**
28. Guidance Counselor Assignments
29. 9<sup>th</sup> Grade Summer Reading Letter
30. 10<sup>th</sup> & 11<sup>th</sup> Grade Summer Reading Letter
31. 10<sup>th</sup> Grade Pre AP & 12<sup>th</sup> Grade Summer Reading Letter
32. Summer Reading Worksheet
33. 11<sup>th</sup> & 12<sup>th</sup> Grade Military Letter (*mailed*)  
**fill out, sign and return-optional**
34. 12<sup>th</sup> Grade Senior Sunrise Letter (*mailed*)
35. PTSA Membership (*mailed*)
36. School Store Information
37. SEPTA Membership Flyer
38. TOH Bus Safety Program Letter & Flyer (*mailed*)



**LEVITTOWN PUBLIC SCHOOLS**  
Levittown Memorial Education Center  
150 Abbey Lane  
Levittown, NY 11756



Mr. Todd Winch, Superintendent of Schools  
516-434-7020  
Fax: 516-520-8314  
twinch@levittownschoools.com

Summer 2023

Dear Parents and Guardians:

It is my hope that this summer was filled with friends and family and afforded our students plenty of time for self-directed learning and adventure. The summer is a wonderful time for growth and development outside of a traditional school setting, and we are proud of the summer programs available to students in the Levittown School District.

We have had a busy summer hosting Camp Invention, Middle School STEM, SCOPE Enrichment, Summer Music, as well as our Marine Biology and Adventures in Local History Camps. This year we were also excited to launch our first ever Summer College Tour Camp in July. Additionally, the Summer Jumpstart Program, Extended School Year Program, Drivers Education, and an ELA and Math Boot Camp program for middle school students rounded out our offerings.

For those of you who have children returning to our schools this September and for those of you joining our community for the first time, we wish your families the best possible school year. We remain committed to our mission statement "Success for Every Student" and hope that during the course of the year you remain convinced that this is an amazing school district. Our focus continues to be on the needs of all of our students. Whether our students seek to pursue post-secondary education, choose to enter the workforce on a particular career path, or decide to join the military service to defend our nation, we will continue to do everything we can to support their goals and dreams.

We look forward to building on the strong foundation we have here in Levittown and expect to showcase some additional enhancements as the year progresses. The best is yet to come.

Enjoy the remaining weeks of the summer!

Todd Winch  
Superintendent



**Division Avenue High School**  
120 Division Avenue  
Levittown, NY 11756-2997  
(516) 434-7150



---

**John Coscia, Principal**

**Daniel Fazio, Assistant Principal**  
**Mark Curtiss, Guidance Chairperson**

**Sam McElroy, Assistant Principal**  
**Christin Snow, Special Ed Chairperson**

August 2023

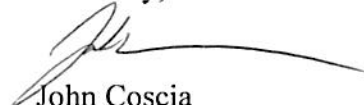
Dear Students and Parents,

I hope you are having a restful, relaxing summer with your family and friends. The faculty and staff are enthusiastically preparing to begin the new school year and are eager to welcome back the students on September 5<sup>th</sup>.

As September nears and you prepare to return to school, you may begin to contemplate what you would like to accomplish this year. While some of your goals should certainly be academic, I would like to remind you that your educational experience at Division Avenue High School will go beyond the classroom. I implore you to become involved in as many extra-curricular activities as possible which can be viewed at <https://tinyurl.com/DAHScIubs> for your perusal. Not only will you enhance your college resume, but you will also enrich your high school experience and develop friendships that will last a life time.

In order to help you achieve your goals, we offer an extensive amount of coursework and extra-curricular activities to appeal to your interests. We also encourage each student to explore and discover new interests to grow and become well rounded individuals. Our staff will work tirelessly to assist you in meeting your potential as a student and a citizen of Division Avenue High School. A new year brings new hopes of what you could achieve and we are looking forward to working with you to ensure that you have a wonderful school year.

Sincerely,



John Coscia  
Principal

JC:dc

*Division Avenue High School*  
*Pride ~ Honor ~ Commitment*



**Division Avenue High School**  
120 Division Avenue  
Levittown, NY 11756-2997  
(516) 434-7150



---

**John Coscia, Principal**

**Daniel Fazio, Assistant Principal**  
**Mark Curtiss, Guidance Chairperson**

**Sam McElroy, Assistant Principal**  
**Christin Snow, Special Ed Chairperson**

September 2023

Dear Parents/Guardians,

Welcome back to Division Avenue High School for the 2023-24 school year. We look forward to a very successful start to the new school year. It is my sincerest hope that all students will enter the 2023-24 school year with enthusiasm, determination and a positive mindset. In that light, we invite you to join us at this year's in-person Back-to-School Night, on Thursday, September 14th at 7:00 PM.

Please make sure you print your child's schedule from the parent portal, or have your child fill in the attached sheet. You will follow your child's Day 2 schedule starting with their first period class. During each class period, you will have an opportunity to hear an overview of the course requirements, the teacher's expectations, grading criteria, and extra help schedule.

This evening is for parents and guardians only. Visitors who require a ramp entrance can gain access to the building by the gym doors. National Honor Society students will be stationed in the hallways to help guide you to classrooms.

We look forward to seeing you on September 14th!

Sincerely,

A handwritten signature in blue ink, appearing to read 'John Coscia', with a long horizontal flourish extending to the right.

John Coscia  
Principal

*Division Avenue High School*  
**Pride ~ Honor ~ Commitment**



# DAY 2 SCHEDULE ONLY

| Period | Time        | Subject | Teacher | Room |
|--------|-------------|---------|---------|------|
| 1      | 7:00 - 7:10 |         |         |      |
| 2      | 7:14 - 7:24 |         |         |      |
| 3      | 7:28 - 7:38 |         |         |      |
| 4      | 7:42 - 7:52 |         |         |      |
| 5      | 7:56 - 8:06 |         |         |      |
| 6      | 8:10 - 8:20 |         |         |      |
| 7      | 8:24 - 8:34 |         |         |      |
| 8      | 8:38 - 8:48 |         |         |      |
| 9      | 8:52 - 9:02 |         |         |      |

***Equal Opportunity Policy***

*No person shall be excluded from participation in, be denied the benefits of, or be discriminated against, any educational program, or activity, or service, or employment opportunity, in this district, on the basis of race, color, sex, sexual orientation, national origin, creed or religion, marital status, age, or disability.*

**OPENING DAY:  
TUESDAY, SEPTEMBER 5, 2023**

The first day of school is **Tuesday, September 5th**. We will follow a **Day 1** program and a regular bell schedule.

**Student schedules** will be available on the website **August 25<sup>th</sup> after 10:00 AM**.

The schedules meet State and District credit requirements. Starting on August 28<sup>th</sup>, schedule changes will be made **ONLY** for students who are **missing a required course**, or who need **course adjustments** based on summer school results. Counselors will be available between 8:00 a.m. and 1:00 p.m. by appointment only.

**NO OTHER SCHEDULE CHANGES WILL BE MADE DURING THIS TIME PERIOD.**

As a reminder, course change requests (other than those emergencies mentioned above) will be considered after the 5<sup>th</sup> week of classes. Approved changes will take effect at the end of the 1<sup>st</sup> quarter. Students are expected to attend the original class until that time, and their grades, if appropriate, will follow them to the new class. A student's schedule may have to be revised to accommodate any changes.

**LOCKERS:**

Lockers will be assigned to all incoming freshmen. Returning students will continue to use the same lock and locker. The use of lockers will be optional and available to all students. If you wish for your student to be assigned a locker for the 2023/2024 school year and do not have one as of yet, please see Ms. Marazzo in the Assistant Principal's office. A locker will be assigned and a lock will be distributed.

**\*All students MUST use a school issued lock.**

**IMPORTANT**

The forms listed below are included in this packet and must be signed and returned to the Main Office as soon as possible:

- CONTACT AND MEDICAL VERIFICATION FORM (Blue)
- CODE OF CONDUCT (Yellow)
- INTERNET POLICY (Green)
- DO NOT PHOTOGRAPH (Green)

**Additional important information, as well as copies of these forms can be found on the DAHS Webpage**

**LEVITTOWN PUBLIC SCHOOLS**  
**Levittown Memorial Education Center**  
**150 Abbey Lane**  
**Levittown, NY 11756**

**STUDENT USE OF COMPUTERIZED INFORMATION RESOURCES**  
**(ACCEPTABLE USE POLICY)**

**Student Agreement and Parent Permission Form**

Student agreement must be renewed each academic year.

**I. STUDENT SECTION**

Student's Name (please print) \_\_\_\_\_ Grade \_\_\_\_\_

School \_\_\_\_\_ Homeroom/Class \_\_\_\_\_

I have read the Student Use of Computerized Information Resources Acceptable Use Policy. I understand and agree to follow the rules contained in this Policy. I understand that if I violate the rules my account can be suspended or cancelled and I may face other disciplinary actions, which may include expulsion, and/or appropriate legal action.

Student's Signature \_\_\_\_\_ Date \_\_\_\_\_

**II. PARENT OR GUARDIAN SECTION**

As the parent or legal guardian of the student signing above, I have read the Student Use of Computerized Information Resources Acceptable Use Policy and grant permission for my son/daughter to computer access. I understand that the district's computing resources are designed for educational purposes. I also understand that it is impossible for Levittown School District to restrict access to all controversial materials and I will not hold them responsible. I understand that individuals and families may be held liable for violations. Furthermore, I accept full responsibility for supervision of my child's use in and outside of a school setting.

Parent's Name (please print) \_\_\_\_\_

Home Address \_\_\_\_\_ Phone # \_\_\_\_\_

Parent's Signature \_\_\_\_\_ Date \_\_\_\_\_

**SUBJECT: STUDENT USE OF COMPUTERIZED INFORMATION RESOURCES  
(ACCEPTABLE USE POLICY)**

This policy is in accordance with the Internet safety guidelines set forth by the Children's Internet Protection Act of 2001, (CIPA", 47 USC 254 [h]) and the Neighborhood Children's Internet Protection Act ("NCIPA"). The Levittown Union Free School District provides all students and staff access to a wide range of computer resources for the advancement of teaching and learning. Our goal in making this service available is to promote educational excellence by facilitating learning and enabling students to become technologically literate, to supply staff with the necessary tools to ensure their students reach their full potential, and to support district graduation goals that require each student demonstrate computer literacy skills.

**Purpose**

The purpose of this policy is to ensure that use of the district's digital resources, networks and the Internet is consistent with our stated mission, goals, and objects. The procedures that follow provide details regarding the appropriate and inappropriate use of the District's resources, network and Internet. The smooth operation of the District relies and expects all users to conduct themselves in a responsible, ethical, professional and decent manner while using the District computers.

All students will be supervised or monitored when accessing or using the district's computers, networks and Internet. *When an account is created for a student or staff member, individuals are legally bound to the terms and conditions outlined in this policy.*

The district's computers can be used to connect to many digital resources including the Internet. These connections, via the network, will provide opportunities for collaboration and innovation throughout the district and worldwide. The purpose for providing access to the network and the Internet is to offer resources to students and teachers for instructional purposes only. The district regards this access as a privilege, not a right. Access entails responsibility.

**Acceptable Use**

The purpose of instructional technologies, including use of the district's digital resources, networks and the Internet is solely to support education and research and must be consistent with Levittown School District mission and educational goals. The district expects all users to be responsible for good behavior and judgment on computer equipment. In addition to specific guidelines listed here, general school rules for behavior and communications also apply to communications on the network. This communication is often public in nature. Users will abide by the rules of network etiquette. Equipment is provided for students to conduct research and communicate appropriately with others. Independent access to network services is provided only to students who agree to act in a considerate and responsible manner.

(continued)



**SUBJECT: STUDENT USE OF COMPUTERIZED INFORMATION RESOURCES  
(ACCEPTABLE USE POLICY)**

Individual users of the district computer networks are responsible for their behavior and communications. Users will comply with district standards and will honor the agreements they have signed. Users are responsible at all times for proper use of their accounts. Users are to protect their accounts' passwords and not share, loan and/or disseminate them.

**Unacceptable Use**

Any violations of the Levittown School District's Digital Resources, Networks and Internet regulations may result in permanent loss of computer access, as well as other disciplinary or legal action. Users are considered subject to all local, state and federal laws.

- **Illegal or Indecent Use:** Using district computers for illegal, harassing, bullying, vandalism, indecent or inappropriate purposes are strictly forbidden.
- **Illegal activity** includes a violation of federal, state, local laws including but not limited to copyright infringement laws or any other material deemed "harmful to minors".
- **Harassing activities** includes unreasonably interfering with an individual's performance in school or smooth operation of the school. This may include but not limited to: insults, slurs, discrimination, defamation of character, cyber bullying, obscene language, jokes, cartoons, pranks, jokes, unwelcome compliments, or other communications creating an offensive or hostile environment.
- **Vandalism activities** include but are not limited to any action taken to trespass, damage or destroy data, software, or equipment.
- **Indecent activities** include but are not limited to accessing, storing, printing or viewing pornographic, sexually explicit, indecent or inappropriate material
- **Inappropriate activities** include but are not limited to: accessing social networking sites, un-censored blogs, and violating social accepted standards including the ones listed in this document.
- **Disruptive Use:** Using District computers to disrupt services or equipment from working effectively is strictly forbidden and includes but is not limited to: "bypassing the district's website filtering system", "hacking into", "Spamming", creating/promoting viruses, or overwhelming the system.
- **Political:** This may include, but is not limited to, using District computers to advocate political opinions directly or indirectly.

(continued)

L/EB

**SUBJECT: STUDENT USE OF COMPUTERIZED INFORMATION RESOURCES  
(ACCEPTABLE USE POLICY)**

- Personal or Commercial: This may include, but is not limited to, using District computers for product advertisement, political lobbying, gambling or any illegal activities.
- Unauthorized Use: Only Levittown students, district employees, and others authorized by the District may use the District's equipment is strictly forbidden.

**Privacy**

Access to computers and people from around the world also increases the availability of material that may not be considered to be of educational value. In spite of our efforts to establish regulations for the system, families must be aware that some material obtained via the Internet may contain items that are illegal, defamatory, inaccurate or potentially offensive. In accordance with the guidelines set forth by CIPA and NCIPA, the district has worked with the Internet Service Provider to take precautions to restrict access to the most controversial material through filtering software. Filtering is provided locally for all Internet enabled computers used by students, patrons, and staff on a networked basis. The filtering software restricts the use of electronic mail, social networking sites, chat rooms, instant messaging and other forms of direct electronic personal communications. However, on a global network it is impossible to control all materials and a user may discover controversial information, either by accident or deliberately. We believe that the benefits to students from online access outweigh the possibility that users may procure materials that are not consistent with our educational goals. School instructional staff will supervise online activities by the students; nevertheless, the user maintains ultimate responsibility for his/her actions in accessing Internet resources. Just as students are responsible for their actions in school, they are required to learn and use correct procedures and rules for using educational technologies.

All communication and information accessible via the computer resources are regarded as school property. Users should not expect that e-mails or files stored on district's storage areas guarantee privacy. Network administrators may review files and communications to maintain system integrity and insure that users are using the system responsibly. Messages relating to or in support of illegal or irresponsible activities may be reported to the authorities.

**Discipline**

Inappropriate use of the district's networks will result in disciplinary action. The Director of Computer and Library Media Services will deem what is inappropriate use and the decision is final. The administration, faculty and staff may request the system administrators to deny, revoke or suspend specific user accounts. Disciplinary actions may include: account(s) (termination or denial), internet account(s) (termination or denial), suspension/expulsion for students and termination of employment for employees, and/or legal actions.

(continued)



**SUBJECT: STUDENT USE OF COMPUTERIZED INFORMATION RESOURCES  
(ACCEPTABLE USE POLICY)**

**Disclaimer**

The Levittown School District makes no warranties of any kind, whether expressed or implied, for the service it is providing. We assume no responsibility or liability for any phone charges, usage fees or financial obligations, nor for any damages a user may suffer as a result of using the district's networks. This includes loss of data resulting from delays, corrupted files, mis-deliveries, or service interruptions caused by its own negligence or users' errors or omissions. Use of any information obtained via the Internet is at users' own risk. We specifically deny any responsibility for the accuracy or quality of information obtained through its services.

Adopted: February 10, 1999  
Revised: November 13, 2002  
Revised: September 5, 2007

Re-Adopted: January 25, 2012

# STUDENT BEHAVIOR

We are committed to the promotion of a civil, safe, and tolerant learning environment. Students are expected to speak and behave respectfully, politely, and appropriately towards one another and the staff. Disciplinary action, including detention, double detention, lunch detention, in-school suspension, out-of-school suspension, and ultimately a Superintendent's suspension may result from violations of the district code of conduct and the building behavior policy. The following items reflect highlights from the district code of conduct:

- **Attendance:** Students who exceed ten (10) absences in a half-year course and twenty (20) absences in a full-year course will be denied credit. Three lateness's to class equal one absence. A lateness over fifteen minutes equals one absence. **Parents must call the Attendance Office (within 24 hours) to report an absence/lateness or the student will be assigned detention.**
- **Compliance:** Students are expected to comply with all reasonable requests and directives from any adult in the building. Insubordination will result in disciplinary action.
- **Fighting:** Unwelcome physical contact, violence, assault, fighting between or among students, or toward a staff member is prohibited. All students involved in a physical altercation will be suspended. Verbal or written provocation of a fight will be considered equal to initiation.
- **Threats:** Verbal, written, or posted threats, or any reckless endangerment to the safety and security of the building will be investigated and prosecuted to the full extent of the law. Physical or verbal abuse, including threats or intimidation toward a student or staff member, will be subject to disciplinary action and DASA legislation.
- **Bullying:** Bullying or harassment meant to threaten or intimidate others will be subject to disciplinary action and DASA legislation. **Cyber bullying**, which includes texting, tweeting, or other social media to harass, threaten or intimidate others will be similarly addressed. Online activity may be actionable if it contributes to the disruption of the learning process, or if a nexus to school safety can be made.
- **Drugs/Alcohol:** No drugs or alcohol are permitted on school grounds. Students who are, or who appear to be, under the influence of drugs or alcohol will be subject to out of school suspension. Students in possession of illegal substances will be subject to suspension and arrest.
- **Weapons,** or any implement construed to be a weapon, or incendiary devices are not permitted in the building. This includes, but is not limited to, razors, box cutters, knives (any size), and guns. Violators face immediate out-of-school suspension, a Superintendent's hearing, and possible arrest.
- **Smoking/Cigarettes:** No form of smoking is permitted in or on school grounds, and will result in suspension. Cigarettes, e-cigarettes and their derivatives are prohibited in the building.
- **Cell phones:** Cell phones and other electronic devices are not permitted in the classroom or in the hallway. A student may be asked to turn off a phone, put it away, or hand it in. Phones must be surrendered to the teacher on duty in the ISS room, during local and state



exams, and to the Assistant Principals or Dean. Refusal to comply with any cell phone request will result in disciplinary action. \*(See attached for additional details)

- **Cameras:** Students may not use cameras, phones, or other devices to record a student or staff member except with permission and under the adult supervision of a school-sponsored activity. Students may not post, share, or circulate inappropriate or fraudulent pictures or videos of others.
- **Dress Code:** Students will maintain good personal hygiene and dress appropriately for school activities. Garments that depict or allude to obscenities, contain offensive graphics or promote drugs or alcohol may not be worn. Clothing that is inappropriately revealing and distracting may not be worn. Hats, bandanas, kerchiefs, headbands, or hoods may not be worn during the regular school day.
- **Early Dismissal:** To leave school at any time other than regular dismissal, a student must be signed out (in the Main Lobby) by a parent/guardian or other adult listed on the emergency card. Photo ID must be produced to escort a student from the building. Update emergency contact information as needed.
- **Senior Privilege:** Open campus is strictly reserved for seniors who have a signed form on file with the Attendance Office. No other students may leave the building at any time during the school day. Non-compliance is a safety issue and will result in suspension. All students must be prepared to show a school-issued photo ID for entry or re-entry to the building.
- **Student Parking:** In September, the Assistant Principals' Office will issue parking permits to a designated number of seniors through a lottery system. Only seniors with valid Class D licenses may enter the lottery. Seniors with DAHS permits may **only** park their cars in assigned spots in the rear lot by the baseball field. Violations will result in loss of parking privileges and possible towing.
- **Lockers/Locks** – Students are provided with a lock and a locker for the hallway, physical education, and when appropriate, athletic teams. The school is not responsible for loss of items from lockers; each student is responsible to secure their contents. Students should not share lockers or leave valuables in them. Lockers are District property; we reserve the right to open and inspect them.
- **Suspensions:** Suspensions (in or out of school) are determined by the infraction and may be administered on a graduated basis beginning with one day and increasing to five days for repetitive or egregious behavior. During a student's suspension, he/she is not permitted to attend any after school activities including practices or competition for any school team or club. While on out-of-school suspension, a student is not permitted on school grounds.
- **Point system** – A student's disciplinary record may lead to exclusion from certain school activities and events including Spirit Night, Emmy Night, the School Play, Junior and Senior Proms, field trips, and athletic events. Determination is based on a point system: Suspension = 3 points; Double detention = 2 points; Detention = 1 point and Lunch detention = 1 points. Students receiving more than 10 points in any marking period will be barred from all activities in the subsequent one. Points are cumulative throughout the year. Students may earn back 3 points for each month of no disciplinary action.

## Cell Phone Procedures – Secondary Schools

Students are permitted to bring to school and to carry on their person in school and on school grounds cell phones, tablets or other mobile communication devices (“Mobile Communication Devices”). While in the school building and on school grounds, these Mobile Communication Devices must be set on “silent” mode, without the ability to vibrate or ring.

**Students are prohibited from using a Mobile Communication Device during class and in all areas of the school building, including in the hallways and bathrooms, except with prior permission from the classroom teacher, students may use a Mobile Communication Device during class for instructional purposes only.**

Students may not possess or use a Mobile Communication Device in a manner that would constitute a violation of a Levittown Union Free School District Board Policy or Regulation or school policy or school rule including, but not limited to, the Student Code of Conduct, Computer Usage Agreements and/or Anti-bullying policies (for example, prohibited uses of a Mobile Communication Device include: to arrange to be picked up from school without notifying the nurse or attendance office; to cheat or plagiarize; to harass, discriminate against, bully or cyberbully a student or staff member; to send or receive sexually explicit messages or pictures (sexting), to take or electronically share pictures or videos of other students without their knowledge or consent).

Students may not use a Mobile Communication Device in school or on school grounds in a manner that creates a disruption to the educational process of a class or to the orderly functioning of the school.

School administrators may confiscate a student’s Mobile Communication Device if the student’s use of that device is in violation of this policy. If a student violates this policy on more than two occasions in a single school year, then the classroom teacher or school administrator may contact the student’s parent or guardian to claim the student’s Mobile Communication Device after it is confiscated. A student who violates this policy may also be subject to disciplinary action.

Classroom teachers or school administrators may review or search the contents of a student’s Mobile Communication Device only if the school determines that there are reasonable grounds to believe that a search would reveal evidence that the student has violated or is violating either the law or a school or District-wide policy or rule, including this policy. Any search will be reasonably related in scope to the circumstances that justified the search in the first place (for example, in most instances, if a student is caught using a cell phone to cheat on a test, the school should not search the phone for data sent or received prior to the time of the test).

The school and the Levittown Union Free School District assume no responsibility for damaged, lost, borrowed or stolen Mobile Communication Devices. The student assumes all risks associated with bringing Mobile Communication Device onto school property or to school related functions.

## REPORT CARD SCHEDULE 2023-24

| Quarter | Quarter Begins | Mid-Quarter Comments Posted by | Quarter Ends | Report Cards Available Online |
|---------|----------------|--------------------------------|--------------|-------------------------------|
| 1       | September 5    | October 10                     | November 9   | November 21                   |
| 2       | November 13    | December 19                    | January 26   | February 5                    |
| 3       | January 29     | March 4                        | April 8      | April 18                      |
| 4       | April 9        | May 20                         | June 26      | June 26                       |

### Mid-Quarter Progress Reports

Teachers are required to post comments under the following circumstances:

- If a student is currently failing a class.
- If a student is in danger of failing a class.
- If a student's grade has dropped by 10 points or more.
- If a student's grade has improved by 10 points or more.

## School Breakfast & Lunch Prices Grades 6-12

**Breakfast \$1.35**

**Lunch \$3.00**



**LEVITTOWN PUBLIC SCHOOLS**  
Levittown Memorial Education Center  
150 Abbey Lane  
Levittown, NY 11756



---

*Success for Every Student*

Dr. Beth Zirotiannis  
Assistant Superintendent for Curriculum and Instruction  
516-434-7025  
Fax: 516-520-8408

Dear Parents:

In order to ensure that the lines of communication between teachers and parents are kept open and parents are informed of any significant changes in their child's performance prior to the receipt of report cards, teachers will be posting comments in the *Gradebook* on the Parent Portal for the following circumstances:

- Student is in danger of failing
- Student is currently failing
- Student's grades dropped by 10 points or more
- Student's grades improved by 10 points or more

These comments will be posted by the following dates for each marking period:

- Quarter 1: October 10, 2023
- Quarter 2: December 19, 2023
- Quarter 3: March 4, 2024
- Quarter 4: May 20, 2024

A *Connect-Ed* message will be sent to all parents immediately following these dates to remind you to check the Parent Portal for your child's grades and for comments that may be posted by the teacher.

Sincerely,

Dr. Beth Zirotiannis  
Assistant Superintendent for Curriculum and Instruction

BZ/sg



# Calendar of Events

## 2023-2024

|                  |   |
|------------------|---|
| 8/21- 8/26/2023  | DAHS Competitive Marching Band Camp Trip                                |
| 8/30/2023        | Freshman Parent Orientation 6:00 PM                                     |
| 8/31/2023        | Freshman Student Orientation 11:00 AM - 1:00 PM                         |
| 9/1/2023         | Superintendent's Conference Day   |
| 9/5/2023         | First Day of School   |
| 9/12/2023        | Picture Day - (underclassmen)   |
| 9/13/2023        | Picture Day (underclassmen)   |
| 9/13/2023        | DAHS Senior Portrait 2024 Retakes                                       |
| 9/13/2023        | DAHS College Fair - 8:30 a.m. -9:45 a.m.                                |
| 9/14/2023        | DAHS Senior Portrait 2024 Retakes                                       |
| 9/14/2023        | Back To School Night 7:00 PM  |
| 9/17/2023        | DAHS Marching Band Competition @ Brentwood H.S.                         |
| 9/20/2023        | DAHS Senior Group Photo 2024  |
| 9/20/2023        | DAHS College Fair - 10:40 a.m. - 12:00 p.m.                             |
| 9/22/2023        | DAHS Pep Rally - 8th & 9th Period                                       |
| 9/23/2023        | DAHS Homecoming Parade at 11:00 AM                                      |
| 9/23/2023        | DAHS Homecoming Football Game at 2:00 PM                                |
| 9/26/2023        | DAHS PTSA Meeting 7:00 PM   |
| 9/30/2023        | DAHS Marching Band Competition @ Malverne H.S.                          |
| 10/5/2023        | District Financial Aid Night @ MacArthur 6:30 PM                        |
| 10/6/2023        | PTSA Fall Plant Sale  |
| 10/14/2023       | DAHS Marching Band Competition @ Sachem H.S.                            |
| 10/14/2023       | DAHS PSAT Exam @ DAHS 7:45 AM   |
| 10/15/2023       | DAHS Marching Band Competition @ Hicksville H.S.                        |
| 10/18/2023       | DAHS Newsday Marching Band Festival @ Mitchell Field - 7:00 PM          |
| 10/19/2023       | DAHS PTSA Meeting 7:00 PM   |
| 10/21/2023       | DAHS Marching Band Competition @ Mineola (Hampton School)               |
| 10/25/2023       | DAHS Newsday Marching Band Festival Raindate @ Mitchell Field - 7:00 PM |
| 10/25/2023       | DAHS Underclassmen Picture Retakes                                      |
| 10/27/2023       | DAHS Peer Pals Halloween Dance - 6:00 - 8:00PM                          |
| 10/27/2023       | DAHS Marching Band Championships Mini-Camp Day                          |
| 10/28/2023       | DAHS Marching Band Championships Syracuse                               |
| 10/29/2023       | DAHS Marching Band Championships Syracuse                               |
| 11/2/2023        | DAHS Blood Drive - Peer Leaders 7:30 AM - 2:30 PM                       |
| 11/4/2023        | DAHS SAT EXAMS 7:45 AM  |
| 11/7/2023        | Superintendent's Conference Day   |
| 11/9/2023        | Emergency Sheltering Drill/Early Dismissal                              |
| 11/21/2023       | First Quarter Report Cards Available online                             |
| 11/28/2023       | DAHS PTSA Meeting 7:00 PM   |
| 11/29/2023       | Vocational Fair @ LMEC - 6:30 PM  |
| 11/30/2023       | High School Parent/Teacher Conference - 6:30 PM                         |
| 12/2/2023        | SAT Exam @ DAHS 7:45 AM   |
| 12/14/2023       | DAHS HS Winter Concert - (Band/Orch/Chorus) - 7:00 PM                   |
| 1/11/2024        | DAHS PTSA Meeting 7:00 PM   |
| 1/23 - 1/26/2024 | Mid-terms/Regents   |
| 2/5/2024         | Second Quarter Report Cards Available online                            |

# Calendar of Events

## 2023-2024

|                 |   |
|-----------------|---|
| 2/8/2024        | District Junior College Planning Night 6:30 PM @ DAHS                     |
| 2/15/2024       | DAHS & MacArthur Art Show Reception @ Levittown Public Library 6PM-7:00PM |
| 2/26/2024       | DAHS Emmy Night 7:00 PM   |
| 2/26 - 3/1/2024 | DAHS Spirit Week  |
| 2/27/2024       | DAHS PTSA Meeting 7:00 PM   |
| 3/1/2024        | DAHS Spirit Night - 6:00 PM   |
| 3/8/2024        | DAHS PTSA Scholarship Sweeps - 7:00 PM                                    |
| 3/8/2024        | DAHS Blood Drive - Peer Leaders 7:30 AM - 2:30 PM                         |
| 3/14/2024       | DAHS PTSA Meeting 7:00 PM   |
| 3/20/2024       | DAHS Musical Morning Matinee Production 10:00 AM                          |
| 3/22/2024       | DAHS Musical Production 7:30 PM   |
| 3/23/2024       | DAHS Musical Production Matinee - 1:00 PM                                 |
| 3/23/2024       | DAHS Musical Production 7:30 PM.  |
| 4/3/2024        | DAHS Night of Honor 7:30 PM   |
| 4/8/2024        | DAHS NHS Induction Ceremony @ 7:30 PM                                     |
| 4/16/2024       | DAHS Senior Portraits Class of 2025                                       |
| 4/17/2024       | DAHS PTSA Meeting 7:00 PM   |
| 4/17/2024       | DAHS Senior Portraits Class of 2025                                       |
| 4/18/2024       | DAHS Senior Portraits Class of 2025                                       |
| 4/18/2024       | Third Quarter Report Cards Available Online                               |
| 4/19/2024       | DAHS Senior Portraits Class of 2025                                       |
| 5/6-5/17/2024   | AP Exams  |
| 5/8/2024        | DAHS PTSA Meeting 7:00 PM   |
| 5/13/2024       | DAHS Spring Concert I (Band/Orchestra) - 7:00 PM                          |
| 5/15/2024       | DAHS Art Show 5:00 PM - 8:00 PM   |
| 5/16/2024       | DAHS Skills Spring Fling/Award Ceremony 6:00 - 9:00 PM - Location TBD     |
| 5/18/2024       | DAHS Junior Prom @ Verdi's 6:00 - 10:00PM                                 |
| 5/21/2024       | Budget Vote - 7:00 AM - 8:00 PM   |
| 5/23/2024       | DAHS Spring Concert II (Choir/Jazz Band) 7:00 PM                          |
| 5/29/2024       | DAHS Blue & Silver Luncheon - 11:30 AM @ DAHS                             |
| 5/30/2024       | Class of 2025 Senior Retakes  |
| 5/31/2024       | Class of 2025 Senior Retakes  |
| 6/1/2024        | DAHS SAT EXAMS - 7:45 AM  |
| 6/4/2024        | DAHS Senior Awards Night 7:00 PM  |
| 6/13/2024       | DAHS Senior Prom @ The Piermont 6:00 PM - 10:00 PM                        |
| 6/14-6/26/2024  | Regents   |
| 6/22/2024       | DAHS Graduation @ Hofstra - Time 1:00 PM                                  |
| 6/26/2024       | Last Day of School  |
| 6/26/2023       | Fourth Quarter Report Cards Available online                              |
| 8/28/2024       | 9th Grade Parent Orientation 6:00 PM                                      |
| 8/29/2024       | 9th Grade Student Orientation 11:00 AM - 1:00 PM                          |

| July |    |    |    |    |    |    |
|------|----|----|----|----|----|----|
| S    | M  | T  | W  | Th | F  | S  |
|      |    |    |    |    |    | 1  |
| 2    | 3  | 4  | 5  | 6  | 7  | 8  |
| 9    | 10 | 11 | 12 | 13 | 14 | 15 |
| 16   | 17 | 18 | 19 | 20 | 21 | 22 |
| 23   | 24 | 25 | 26 | 27 | 28 | 29 |
| 30   | 31 |    |    |    |    |    |

| August |    |    |    |    |    |    |
|--------|----|----|----|----|----|----|
| S      | M  | T  | W  | Th | F  | S  |
|        |    | 1  | 2  | 3  | 4  | 5  |
| 6      | 7  | 8  | 9  | 10 | 11 | 12 |
| 13     | 14 | 15 | 16 | 17 | 18 | 19 |
| 20     | 21 | 22 | 23 | 24 | 25 | 26 |
| 27     | 28 | 29 | 30 | 31 |    |    |

| September (18+1) |    |    |    |    |    |    |
|------------------|----|----|----|----|----|----|
| S                | M  | T  | W  | Th | F  | S  |
|                  |    |    |    |    | 1  | 2  |
| 3                | 4  | 5  | 6  | 7  | 8  | 9  |
| 10               | 11 | 12 | 13 | 14 | 15 | 16 |
| 17               | 18 | 19 | 20 | 21 | 22 | 23 |
| 24               | 25 | 26 | 27 | 28 | 29 | 30 |

| October (21) |    |    |    |    |    |    |
|--------------|----|----|----|----|----|----|
| S            | M  | T  | W  | Th | F  | S  |
| 1            | 2  | 3  | 4  | 5  | 6  | 7  |
| 8            | 9  | 10 | 11 | 12 | 13 | 14 |
| 15           | 16 | 17 | 18 | 19 | 20 | 21 |
| 22           | 23 | 24 | 25 | 26 | 27 | 28 |
| 29           | 30 | 31 |    |    |    |    |

| November (18+1) |    |    |    |    |    |    |
|-----------------|----|----|----|----|----|----|
| S               | M  | T  | W  | Th | F  | S  |
|                 |    |    | 1  | 2  | 3  | 4  |
| 5               | 6  | 7  | 8  | 9  | 10 | 11 |
| 12              | 13 | 14 | 15 | 16 | 17 | 18 |
| 19              | 20 | 21 | 22 | 23 | 24 | 25 |
| 26              | 27 | 28 | 29 | 30 |    |    |

| December (16) |    |    |    |    |    |    |
|---------------|----|----|----|----|----|----|
| S             | M  | T  | W  | Th | F  | S  |
|               |    |    |    |    | 1  | 2  |
| 3             | 4  | 5  | 6  | 7  | 8  | 9  |
| 10            | 11 | 12 | 13 | 14 | 15 | 16 |
| 17            | 18 | 19 | 20 | 21 | 22 | 23 |
| 24            | 25 | 26 | 27 | 28 | 29 | 30 |
| 31            |    |    |    |    |    |    |

**LEVITTOWN PUBLIC SCHOOLS CALENDAR  
2023-2024**

|                   |  |
|-------------------|--|
| July 4            | <b>Independence Day</b><br>Schools Closed/Offices Closed                     |
| September 1       | <b>Supt Conf Day</b><br>Schools Closed/Teachers & Staff Report               |
| September 4       | <b>Labor Day</b><br>Schools Closed/Offices Closed                            |
| September 5       | <b>FIRST DAY OF SCHOOL</b>   |
| September 16 & 17 | <b>Rosh Hashanah</b><br>Weekend Day  |
| September 25      | <b>Yom Kippur</b><br>Schools Closed/Offices Open                             |
| October 9         | <b>Columbus Day</b><br>Schools Closed/Offices Closed                         |
| November 7        | <b>Election Day/Supt Conf Day</b><br>Schools Closed /Teachers & Staff Report |
| November 10       | <b>Veteran's Day (Observed)</b><br>Schools Closed/Offices Closed             |
| November 12       | <b>Diwali</b><br>Weekend Day   |
| November 23-24    | <b>Thanksgiving Break</b><br>Schools Closed/Offices Closed                   |
| Dec. 25 - Jan 1   | <b>Winter Recess</b><br>Schools Closed/Offices Closed                        |
| January 15        | <b>Martin Luther King Jr. Day</b><br>Schools Closed/Offices Closed           |
| February 19 - 23  | <b>February Recess</b><br>Schools Closed/Offices Closed                      |
| Mar 28, 29, Apr 1 | <b>Holy Thursday/Good Friday</b><br>Schools Closed/Offices Closed            |
| April 10          | <b>Eid-al-Fitr</b><br>Schools Closed/Offices Open                            |
| April 22 - 30     | <b>Spring Recess</b><br>Schools Closed/Offices Closed                        |
| May 27            | <b>Memorial Day</b><br>Schools Closed/Offices Closed                         |
| June 16           | <b>Eid-al-Adha</b><br>Weekend Day  |
| June 19           | <b>Juneteenth</b><br>Schools Closed/Offices Closed                           |
| June 26           | <b>LAST DAY OF SCHOOL</b>  |

Elementary Parent/Teacher Conferences:  
TBD (December)

Student Attendance Days = 181  
Teacher Conference Days = 2

**Use of Contingency Days (Snow Days)**

If no snow days used: No School on May 24  
If 1 snow day used: No School on May 24  
If 2 snow days used: There will be school on May 24

If more than 2 snow days are used, remote days may be used.

| January (21) |    |    |    |    |    |    |
|--------------|----|----|----|----|----|----|
| S            | M  | T  | W  | Th | F  | S  |
|              | 1  | 2  | 3  | 4  | 5  | 6  |
| 7            | 8  | 9  | 10 | 11 | 12 | 13 |
| 14           | 15 | 16 | 17 | 18 | 19 | 20 |
| 21           | 22 | 23 | 24 | 25 | 26 | 27 |
| 28           | 29 | 30 | 31 |    |    |    |

| February (16) |    |    |    |    |    |    |
|---------------|----|----|----|----|----|----|
| S             | M  | T  | W  | Th | F  | S  |
|               |    |    |    | 1  | 2  | 3  |
| 4             | 5  | 6  | 7  | 8  | 9  | 10 |
| 11            | 12 | 13 | 14 | 15 | 16 | 17 |
| 18            | 19 | 20 | 21 | 22 | 23 | 24 |
| 25            | 26 | 27 | 28 | 29 |    |    |

| March (19) |    |    |    |    |    |    |
|------------|----|----|----|----|----|----|
| S          | M  | T  | W  | Th | F  | S  |
|            |    |    |    |    | 1  | 2  |
| 3          | 4  | 5  | 6  | 7  | 8  | 9  |
| 10         | 11 | 12 | 13 | 14 | 15 | 16 |
| 17         | 18 | 19 | 20 | 21 | 22 | 23 |
| 24         | 25 | 26 | 27 | 28 | 29 | 30 |
| 31         |    |    |    |    |    |    |

| April (13) |    |    |    |    |    |    |
|------------|----|----|----|----|----|----|
| S          | M  | T  | W  | Th | F  | S  |
|            | 1  | 2  | 3  | 4  | 5  | 6  |
| 7          | 8  | 9  | 10 | 11 | 12 | 13 |
| 14         | 15 | 16 | 17 | 18 | 19 | 20 |
| 21         | 22 | 23 | 24 | 25 | 26 | 27 |
| 28         | 29 | 30 |    |    |    |    |

| May (22) |    |    |    |    |    |    |
|----------|----|----|----|----|----|----|
| S        | M  | T  | W  | Th | F  | S  |
|          |    |    | 1  | 2  | 3  | 4  |
| 5        | 6  | 7  | 8  | 9  | 10 | 11 |
| 12       | 13 | 14 | 15 | 16 | 17 | 18 |
| 19       | 20 | 21 | 22 | 23 | 24 | 25 |
| 26       | 27 | 28 | 29 | 30 | 31 |    |

| June (17) |    |    |    |    |    |    |
|-----------|----|----|----|----|----|----|
| S         | M  | T  | W  | Th | F  | S  |
|           |    |    |    |    |    | 1  |
| 2         | 3  | 4  | 5  | 6  | 7  | 8  |
| 9         | 10 | 11 | 12 | 13 | 14 | 15 |
| 16        | 17 | 18 | 19 | 20 | 21 | 22 |
| 23        | 24 | 25 | 26 | 27 | 28 | 29 |
| 30        |    |    |    |    |    |    |

# Board Meeting Dates

Board of Education - Levittown Union Free School District

|                  | Mon | Tues | Wed | Thurs | 2023 - 2024  |
|------------------|-----|------|-----|-------|--|
| <i>JULY</i>      |     |      | 5   |       | Organization Meeting and Regular Meeting                                 |
| <i>AUGUST</i>    |     |      | 9   |       | Regular Meeting  |
|                  |     |      | 30  |       | Planning and Special Meeting   |
| <i>SEPTEMBER</i> |     |      | 13  |       | Regular Meeting  |
|                  |     |      | 27  |       | Planning Session   |
| <i>OCTOBER</i>   |     |      | 11  |       | Regular Meeting  |
| <i>NOVEMBER</i>  |     |      | 8   |       | Regular Meeting  |
| <i>DECEMBER</i>  |     |      | 6   |       | Regular Meeting  |
| <i>JANUARY</i>   |     |      | 10  |       | Regular Meeting  |
|                  |     |      | 24  |       | Budget Planning Session #1   |
| <i>FEBRUARY</i>  |     |      | 7   |       | Budget Planning Session #2; Regular Meeting                              |
| <i>MARCH</i>     |     |      | 6   |       | Budget Planning Session #3; Regular Meeting                              |
|                  |     |      | 20  |       | Budget Planning Session #4; and<br>Special Meeting - Board Adopts Budget |
| <i>APRIL</i>     |     | 16   |     |       | Regular Meeting, BOCES Vote  |
| <i>MAY</i>       |     |      | 1   |       | Public Budget Hearing; Regular Meeting                                   |
|                  |     | 21   |     |       | BUDGET VOTE; Special Meeting to certify vote                             |
| <i>JUNE</i>      |     |      | 5   |       | Regular Meeting  |

Approved: 3/8/23





**LEVITTOWN PUBLIC SCHOOLS**  
**Levittown Memorial Education Center**  
**150 Abbey Lane**  
**Levittown, NY 11756**



**TO:** All Staff  
**FROM:** Mr. Todd Winch, Superintendent of Schools  
**DATE:** July 6, 2023  
**SUBJECT:** Board of Education/Central Office Directory

The Board of Education officers for the 2023 - 2024 school year are as follows. Please ensure that **any and all** directories and paperwork reflect the following.

Board of Education

|                                |                  |
|--------------------------------|------------------|
| President                      | Jennifer Messina |
| 1 <sup>st</sup> Vice President | Peggy Marengi    |
| 2 <sup>nd</sup> Vice President | Christina Lang   |
| Trustee                        | Marianne Adrian  |
| Trustee                        | Phyllis Dalton   |
| Trustee                        | James Moran      |
| Trustee                        | Michael Pappas   |
| District Clerk                 | Suzanne Mallozzi |

Central Office Administration

|   |                     |
|---|---------------------|
| Superintendent of Schools                           | Mr. Todd Winch      |
| Asst. Superintendent for Business & Finance         | Mr. Michael Fabiano |
| Asst. Superintendent for Human Resources            | Ms. Debbie Rifkin   |
| Asst. Superintendent for Curriculum and Instruction | Dr. Beth Ziogiannis |
| Treasurer   | Linda Dolecek       |

Directors

|                                      |                     |
|--------------------------------------|---------------------|
| Fine Arts (Art and Music)            | Frank Creter        |
| Computer & Media Services            | Todd Connell        |
| Elementary Education                 | Michelle Kelly      |
| English Language Arts                | Kerin Slattery      |
| Mathematics & Business               | John Towers         |
| Physical Education & Athletics       | J. Keith Snyder     |
| Pupil Services                       | Dr. Susan Farber    |
| Science/Outdoor Learning Centre/Tech | Kevin McDermott     |
| Social Studies & FACS                | Patrick Burke       |
| World Languages and ENL              | Michele Ortiz       |
| Asst. Special Education              | Dr. Matthew Jurgens |
| Asst. Special Education              | Dawn Wang           |

|                     |                 |
|---------------------|-----------------|
| Buildings & Grounds | Craig Cammarata |
|---------------------|-----------------|

Curriculum Associates

|                        |                         |
|------------------------|-------------------------|
| Data & 504 Coordinator | Dr. Patricia Kolodnicki |
|------------------------|-------------------------|

Supervisor

|                |                |
|----------------|----------------|
| Transportation | Dajuana Reeves |
|----------------|----------------|



**LEVITTOWN PUBLIC SCHOOLS**  
 Levittown Memorial Education Center  
 150 Abbey Lane  
 Levittown, NY 11756



Debbie Rifkin  
 Assistant Superintendent for Human Resources  
 516-434-7030  
 Fax: 516-520-8332

August, 2023

Dear Parents/Guardian:

New York State Education Law mandates that all absences from school, both excused and unexcused, be treated equally in attendance policies. Parents and students are therefore advised that all absences from school and class are counted equally in determining that a student has exceeded the maximum number of absences permitted under our attendance policy.

Some examples of absences counted equally:

|               |                 |                      |               |
|---------------|-----------------|----------------------|---------------|
| Illness       | Suspension      | Road test            | College visit |
| Court         | Doctor's appt.  | Religious observance | Field trip    |
| Accident      | Cut class       | Family vacation      | Physical exam |
| Truancy       | Job interview   | Babysitting          |               |
| Health Office | Drug counseling | Funerals             |               |


Although some absences are unavoidable, such as illness and college visits, unexcused absences are to be discouraged and disciplinary action may be taken. Examples would include late to school and truancy. When a parent allows a student to miss school, for an unexcused reason, it is called unlawful detention. Examples would include vacation and babysitting. Please keep in mind, that in terms of our Attendance Policy, **all absences count towards credit denial.**

Each student is expected to be in school on time every school day. Absences should be reported no later than 8:00 a.m. by telephone to the attendance office by a parent or legal guardian. Students absent from school for more than half of the day may not participate in any after school activities including athletic and music events scheduled for that day.

Each course is considered to be one class. If a student's absences from a class exceed the attendance requirements for that course, that student will be denied credit. Three latenesses of less than 15 minutes will count as one absence in that course. If a student is late by more than 15 minutes it will count as an absence. Remember all absences count towards the attendance policy.

|  |             |
|--|-------------|
| Daily course – all year                              | 20 absences |
| Daily course – semester (Sept. – Jan.) (Feb. – June) | 10 absences |
| Odd/even course – all year                           | 10 absences |
| Daily course with lab on alternate days              | 20 absences |
| Daily 2 period course – all year                     | 20 absences |

If you have any questions about the district attendance policy, please contact the Attendance Office in your child's school.

Sincerely,  
  
 Debbie Rifkin  
 Assistant Superintendent for Human Resources

Patty Leavy, R.N.  
Debra Larkin, R.N.

Michele Ortiz  
Health Coordinator

## HEALTH OFFICE

### **District forms must be completed if your child needs Health Office attention during the school year.**

As per New York State Law, a parent needs to bring the necessary medication to the Health Office. All medication, prescription and over-the-counter, requires a Medication Administration Form, completed by you and your physician. **We cannot accept any medication from students.**

If your child has a **Food allergy**, a Food Allergy Action Plan must be completed by you and your physician and returned to the Health Office on the first day of school.

If your child has **Asthma**, the following must be completed by you and your physician and brought to the Health Office on the first day of school:

- Medication Administration form.
- Inhaler Usage Form (if student plans to carry an inhaler)
- Nebulizer Medication form (if necessary)

If your child has **Diabetes** we will require:

- Diabetic Orders from your physician
- Snacks and beverage
- Glucagon Injection Kit usage form (obtained from school website).

The forms listed below can be obtained on the Levittown School District website:

- (Allergy – Food) Action Plan Form
- (Allergy – Other) Action Plan Form
- (Allergy) Epipen Usage Form
- (Asthma) Inhaler Usage Form
- (Asthma) Nebulizer Usage Form
- Certificate of Immunization
- Change in Immunization Requirements for School Entry
- Dental Examination Form
- (Diabetic) Glucagon Injection Kit Usage Form
- Medical History Form
- Medication Administration Form
- Private Physician Form

- Visit [www.levittownschoools.com](http://www.levittownschoools.com) and click on “District”
- Click on “District Forms”
- Click on “Health/Athletic Forms”
- Proceed to “Nurse Office Forms”
- Click on the necessary form and print

### **MANDATORY PHYSICAL EXAMINATIONS**

The New York State Education Law requires every child in grades 9 and 11, as well as all new entrants to submit a dental and physical examination. **NYS requires the schools to only accept the New York State Health Examination Form.** This form is available on our district website.



## Health and Dental Examination Requirements

August 2023

Dear Parents/Guardians,

New York State law requires a health examination for all students entering the school district for the first time and when entering K, 1<sup>st</sup>, 3<sup>rd</sup>, 5<sup>th</sup>, 7<sup>th</sup>, 9<sup>th</sup> and 11<sup>th</sup> grade. The examination must be completed by a New York State licensed physician, physician assistant or nurse practitioner. The physical must be documented on the form found at this link: <http://www.p12.nysed.gov/sss/documents/health-exam-form.pdf> or a NYS approved electronic form.

A dental certificate which states your child has been seen by a dentist or dental hygienist is also asked for at the same time.

- A copy of the health examination must be provided to the school within 30 days from when your child first starts at the school, and when your child starts K, 1<sup>st</sup>, 3<sup>rd</sup>, 5<sup>th</sup>, 7<sup>th</sup>, 9<sup>th</sup> and 11<sup>th</sup> grades. If a copy is not given to the school within 30 days, the school will contact you.
- If your child has an appointment for an exam during this school year that is after the first 30 days of school, please notify the Health Office with the date.
- For your convenience, a physical exam form and dental certificate for your health care providers is enclosed.
- Levittown Public Schools continue to make youth mental health and substance issues a top priority. To that end, we recommend that you ask your pediatrician for a SBIRT Screening. This can assist with early identification and intervention of alcohol and/or drug use in adolescent children. Such screening results are never shared with the district and are protected under HIPAA (Health Insurance Portability and Accountability Act of 1996). Please note that this is a parental option, not a requirement.

We suggest you make copies of the completed forms for your own records before sending them to the school health office. Forms may also be faxed to the number below.

Sincerely,

|  |                      |  |  |
|--|----------------------|--|--|
| School Nurse:<br>Patty Leavy RN<br>Debra Larkin RN |                      | School:<br>Division Ave HS   |  |
| Phone #:<br>516-434-7208<br>516-434-7207           | Fax:<br>516-434-7200 | Email:<br><a href="mailto:pleavy@levittownschoools.com">pleavy@levittownschoools.com</a><br><a href="mailto:d3larkin@levittownschoools.com">d3larkin@levittownschoools.com</a> |  |



**LEVITTOWN PUBLIC SCHOOLS**  
Levittown Memorial Education Center  
150 Abbey Lane  
Levittown, New York 11756



DENTAL

Dear Parents

We strongly urge you to make an appointment with your dentist. If your child has received treatment, please have this form completed by the dentist and **return it to your child's school nurse.**

LEVITTOWN PUBLIC SCHOOLS – DIVISION OF HEALTH SERVICES  
STUDENT ANNUAL DENTAL EXAMINATION REPORT  
(to be completed by Dentist)

Student Name: \_\_\_\_\_ Grade: \_\_\_\_\_ School: \_\_\_\_\_

The above child has had his/her teeth examined and the necessary work is:

Completed \_\_\_\_\_ Under treatment \_\_\_\_\_ Does not need treatment \_\_\_\_\_

1. The occlusion was found to be: Faulty \_\_\_\_\_ Good \_\_\_\_\_

2. Is child receiving orthodontia: Yes \_\_\_\_\_ No \_\_\_\_\_

3. Is orthodontia recommended: Yes \_\_\_\_\_ No \_\_\_\_\_

4. Remarks: \_\_\_\_\_

\_\_\_\_\_  
Dentist's Signature

\_\_\_\_\_  
Dentist's Stamp

\_\_\_\_\_  
Date

## REQUIRED NYS SCHOOL HEALTH EXAMINATION FORM

**TO BE COMPLETED BY PRIVATE HEALTHCARE PROVIDER OR SCHOOL MEDICAL DIRECTOR**

**Note:** NYSED requires a physical exam for new entrants and students in Grades Pre-K or K, 1, 3, 5, 7, 9 & 11; annually for interscholastic sports; and working papers as needed; or as required by the Committee on Special Education (CSE) or Committee on Pre-School Special Education (CPSE).

### STUDENT INFORMATION

|  |  |            |
|--|--|------------|
| Name:  | Affirmed Name (if applicable):   | DOB:       |
| Sex Assigned at Birth: <input type="checkbox"/> Female <input type="checkbox"/> Male | Gender Identity: <input type="checkbox"/> Female <input type="checkbox"/> Male <input type="checkbox"/> Nonbinary <input type="checkbox"/> X |            |
| School:  | Grade:   | Exam Date: |

### HEALTH HISTORY

If yes to any diagnoses below, check all that apply and provide additional information.

|                                    |  |
|------------------------------------|--|
| <input type="checkbox"/> Allergies | Type:<br><input type="checkbox"/> Medication/Treatment Order Attached <input type="checkbox"/> Anaphylaxis Care Plan Attached  |
| <input type="checkbox"/> Asthma    | <input type="checkbox"/> Intermittent <input type="checkbox"/> Persistent <input type="checkbox"/> Other:<br><input type="checkbox"/> Medication/Treatment Order Attached <input type="checkbox"/> Asthma Care Plan Attached |
| <input type="checkbox"/> Seizures  | Type: _____ Date of last seizure: _____<br><input type="checkbox"/> Medication/Treatment Order Attached <input type="checkbox"/> Seizure Care Plan Attached  |
| <input type="checkbox"/> Diabetes  | Type: <input type="checkbox"/> 1 <input type="checkbox"/> 2<br><input type="checkbox"/> Medication/Treatment Order Attached <input type="checkbox"/> Diabetes Medical Mgmt. Plan Attached                                    |

**Risk Factors for Diabetes or Pre-Diabetes:** Consider screening for T2DM if BMI% > 85% and has 2 or more risk factors: Family Hx T2DM, Ethnicity, Sx Insulin Resistance, Gestational Hx of Mother, and/or pre-diabetes.

BMI \_\_\_\_\_ kg/m<sup>2</sup>

Percentile (Weight Status Category):  < 5<sup>th</sup>  5<sup>th</sup>- 49<sup>th</sup>  50<sup>th</sup>- 84<sup>th</sup>  85<sup>th</sup>- 94<sup>th</sup>  95<sup>th</sup>- 98<sup>th</sup>  99<sup>th</sup> and >

Hyperlipidemia:  Yes  Not Done      Hypertension:  Yes  Not Done

### PHYSICAL EXAMINATION/ASSESSMENT

|                           |                          |                          |             |   |
|---------------------------|--------------------------|--------------------------|-------------|---|
| Height:                   | Weight:                  | BP:                      | Pulse:      | Respirations:   |
| <b>Laboratory Testing</b> | <b>Positive</b>          | <b>Negative</b>          | <b>Date</b> | <b>Lead Level<br/>Required for PreK &amp; K</b>   |
| TB- PRN                   | <input type="checkbox"/> | <input type="checkbox"/> |             | <input type="checkbox"/> Test Done <input type="checkbox"/> Lead Elevated $\geq 5$ $\mu\text{g/dL}$ |
| Sickle Cell Screen-PRN    | <input type="checkbox"/> | <input type="checkbox"/> |             |   |

System Review Within Normal Limits

Abnormal Findings – List Other Pertinent Medical Concerns Below (e.g., concussion, mental health, one functioning organ)

|  |   |  |                                       |   |
|--|---|--|---------------------------------------|---|
| <input type="checkbox"/> HEENT         | <input type="checkbox"/> Lymph nodes    | <input type="checkbox"/> Abdomen         | <input type="checkbox"/> Extremities  | <input type="checkbox"/> Speech           |
| <input type="checkbox"/> Dental        | <input type="checkbox"/> Cardiovascular | <input type="checkbox"/> Back/Spine/Neck | <input type="checkbox"/> Skin         | <input type="checkbox"/> Social Emotional |
| <input type="checkbox"/> Mental Health | <input type="checkbox"/> Lungs          | <input type="checkbox"/> Genitourinary   | <input type="checkbox"/> Neurological | <input type="checkbox"/> Musculoskeletal  |

|   |                           |              |
|---|---------------------------|--------------|
| Assessment/Abnormalities Noted/Recommendations: | Diagnoses/Problems (list) | ICD-10 Code* |
|---|---------------------------|--------------|

Additional Information Attached

\*Required only for students with an IEP receiving Medicaid

|       |                                |      |
|-------|--------------------------------|------|
| Name: | Affirmed Name (if applicable): | DOB: |
|-------|--------------------------------|------|

**SCREENINGS**

Vision & Hearing Screenings Required for PreK or K, 1, 3, 5, 7, & 11

| Vision Screening           | With Correction <input type="checkbox"/> Yes <input type="checkbox"/> No | Right | Left | Referral                     | Not Done                 |
|----------------------------|--|-------|------|------------------------------|--------------------------|
| Distance Acuity            |  | 20/   | 20/  | <input type="checkbox"/> Yes | <input type="checkbox"/> |
| Near Vision Acuity         |  | 20/   | 20/  | <input type="checkbox"/> Yes | <input type="checkbox"/> |
| Color Perception Screening | <input type="checkbox"/> Pass <input type="checkbox"/> Fail              |       |      |                              | <input type="checkbox"/> |

Notes

|  |                 |
|--|-----------------|
| <b>Hearing Screening:</b> Passing indicates student can hear 20dB at all frequencies: 500, 1000, 2000, 3000, 4000 Hz; for grades 7 & 11 also test at 6000 & 8000 Hz. | <b>Not Done</b> |
|--|-----------------|

|                     |   |  |                                       |                          |
|---------------------|---|--|---------------------------------------|--------------------------|
| Pure Tone Screening | Right <input type="checkbox"/> Pass <input type="checkbox"/> Fail | Left <input type="checkbox"/> Pass <input type="checkbox"/> Fail | Referral <input type="checkbox"/> Yes | <input type="checkbox"/> |
|---------------------|---|--|---------------------------------------|--------------------------|

Notes

|   |                                   |                                   |                                       |                          |
|---|-----------------------------------|-----------------------------------|---------------------------------------|--------------------------|
| Scoliosis Screening: Boys grade 9, Girls grades 5 & 7 | Negative <input type="checkbox"/> | Positive <input type="checkbox"/> | Referral <input type="checkbox"/> Yes | <input type="checkbox"/> |
|---|-----------------------------------|-----------------------------------|---------------------------------------|--------------------------|

**FOR PARTICIPATION IN PHYSICAL EDUCATION\*/SPORTS\*/PLAYGROUND/WORK**

**\*Family cardiac history reviewed** – required for Dominick Murray Sudden Cardiac Arrest Prevention Act

**Student may participate in all activities without restrictions.**

**If Restrictions Apply** – Complete the information below

**Student is restricted from participation in:**

- Contact Sports:** Basketball, Competitive Cheerleading, Diving, Downhill Skiing, Field Hockey, Football, Gymnastics, Ice Hockey, Lacrosse, Soccer, and Wrestling.
- Limited Contact Sports:** Baseball, Fencing, Softball, and Volleyball.
- Non-Contact Sports:** Archery, Badminton, Bowling, Cross-Country, Golf, Riflery, Swimming, Tennis, and Track & Field.
- Other Restrictions:**

**Developmental Stage for Athletic Placement Process** ONLY required for students in Grades 7 & 8 who wish to play at the high school interscholastic sports level **OR** Grades 9-12 who wish to play at the modified interscholastic sports level.

**Tanner Stage:**  I  II  III  IV  V

**Other Accommodations\*:** Provide Details (e.g., brace, insulin pump, prosthetic, sports goggles, etc.):

\*Check with the athletic governing body if prior approval/form completion is required for use of the device at athletic competitions.

**MEDICATIONS**

Order Form for medication(s) needed at school attached

**COMMUNICABLE DISEASE**

Confirmed free of communicable disease during exam

**IMMUNIZATIONS**

Record Attached  Reported in NYSIIS

**HEALTHCARE PROVIDER**

Healthcare Provider Signature:

Provider Name: *(please print)*

Provider Address:

Phone: \_\_\_\_\_ Fax: \_\_\_\_\_

**Please Return This Form to Your Child's School Health Office When Completed.**





**LEVITTOWN PUBLIC SCHOOLS**  
Levittown Memorial Education Center  
150 Abbey Lane  
Levittown, New York 11756



Ms. Michele Ortiz, **Curriculum Associate**  
Office of Assessments, Data, ENL  
516-434-7056  
Central Registration  
516-434-7058

**BODY MASS INDEX**

As part of a required school health examination, a student is weighted and his/her height is Measured. The numbers are used to figure out the student's body mass index of "BMI". The BMI helps the doctor or nurse know if the student's weight is in a healthy range or is too high or too low. Recent changes to the New York State Education Law require that BMI and weight status group be included as part of the student's school health examination. A sample of school districts will be selected to take part in a survey by the New York State Department of Health. If Our school is selected to be part of the survey, we will be reporting to New York State Department of Health information about our student's weight status groups. Only summary information is sent. No names and no information about individual students are sent. However, you may choose to have your child's information excluded from this survey report.

The information sent to the New York State Department of Health will help health officials develop programs that make it easier for children to be healthier.

**If you do not wish to have your child's weight status group information included as part of the Health Department's survey this year, please print and sign your name below and return this form to your school nurse's office.**

Thank you,

Ms. Michele Ortiz

\_\_\_\_\_  
School

\_\_\_\_\_  
Print Child's Name

\_\_\_\_\_  
Print Parent's Name

\_\_\_\_\_  
Date

\_\_\_\_\_  
Parent Signature



**Division Avenue High School**  
**120 Division Avenue**  
**Levittown, NY 11756-2997**  
**(516) 434-7150**



**John Coscia, *Principal***

**Daniel Fazio, *Assistant Principal***  
**Mark Curtiss, *Guidance Chairperson***

**Sam McElroy, *Assistant Principal***  
**Christin Snow, *Special Ed Chairperson***

September 2023

Dear Parent/Guardian

The purpose of this letter is to inform you about New York State Department of Health immunization requirements for school entry on **September 2023**. If these requirements are not met, your child will be excluded from school. Children 12 grade are required to receive an adequate dose or doses of a vaccine against meningococcal disease.

1. A single booster dose of MenACWY vaccine should be administered at age 16 years.
2. -The booster dose is not necessary for adolescents who receive the first dose of MenACWY at age 16 years.
3. -The serogroup B meningococcal B Vaccine series (MenB vaccine) may be administered to adolescents and young adults 16 through 23 years of age, at the discretion of the healthcare provider.

Please have your doctor fill out the form below **including signature and stamp** and return to your

**Child's school** health office as soon as possible.

Child's Name \_\_\_\_\_ Date \_\_\_\_\_

Our records indicate that the above patient (please check one and include the administration date)

\_\_\_ Had the Menactra or Menveo vaccine on \_\_\_\_\_

\_\_\_ Had the MenB vaccine administered on \_\_\_\_\_

**Physician signature**

**Physician stamp**

**Not valid without physician's signature and stamp**

*Division Avenue High School*  
***Pride ~ Honor ~ Commitment***



**LEVITTOWN PUBLIC SCHOOLS**  
Levittown Memorial Education Center  
150 Abbey Lane  
Levittown, NY 11756



Debbie Rifkin  
Assistant Superintendent for Human Resources  
516-434-7030  
Fax: 516-520-8332

August, 2023

Dear Parents,

The safety of our children is the top priority of the Levittown School District. This letter outlines the major safety drills, code of conduct and sex offender notification system used throughout our schools.

In the summer of 2000, the New York State Legislature passed the S.A.V.E. Act, Safe Schools Against Violence in Education. This act is one of the most comprehensive regulations in the nation seeking to address school safety and violence prevention. The legislation covers several specific areas of concern which each district must address.

One such area is the development of a comprehensive School Safety Plan. Our District emergency plan, as well as detailed information about our safety drills including the annual Sheltering/Early Dismissal Drill, can be viewed on our District website under *Parent Resources*.

Another area outlined in the S.A.V.E. legislation is the District Code of Conduct, which is required for the maintenance of order on school grounds. The summary of our Code of Conduct, which must be distributed to all parents as required by law is included with this letter for your review. The entire Code of Conduct can be viewed on our District website under *Parent Resources*.

The Levittown School District uses an e-mail notification system developed by Parents for Megan's Law (PFML) for sex offender notifications. Funded by county, state and federal governments, PFML is a not-for-profit organization dedicated to the prevention of childhood sexual abuse through the provision of education, advocacy, counseling, policy and legislative support services. Subscribers to PFML's e-mail alert system will be notified when a moderate or high-risk sex offender moves into the area. This service is provided to residents at no cost. To sign up for this email notification, go to the district website and click on *Parent Resources*.

Lastly, on September 13, 2010 The Dignity Act was signed into law and took effect on July 1, 2012. New York State's Dignity for All Students Act (The Dignity Act) seeks to provide the State's public elementary and secondary school students with a safe and supportive environment free from discrimination, intimidation, taunting, harassment and bullying on school property, a school bus and/or at a school function. To find out more about this important legislation and what the District does to promote an environment where students feel safe, valued and connected, go to [www.levittownschoools.com](http://www.levittownschoools.com).

If you have any questions related to student safety or for further information regarding The Dignity Act, please visit our Levittown Public Schools Website or you may contact my office. Good luck in the upcoming school year!

Sincerely,

Debbie Rifkin  
Assistant Superintendent for Human Resources





**LEVITTOWN PUBLIC SCHOOLS**  
Levittown Memorial Education Center  
150 Abbey Lane  
Levittown, NY 11756



Debbie Rifkin  
Assistant Superintendent for Human Resources  
516-434-7030  
Fax: 516-520-8332

August, 2023

Dear Parents,

The District Code of Conduct has been developed as required by the New York State Save Act. Please follow the directions below to view and sign the Code of Conduct no later than Sept. 8, 2023.

**\*\*\*CODE OF CONDUCT SIGNATURE INSTRUCTIONS\*\*\***

To sign the required Code of Conduct, complete the following steps:

1. Log into Parent Portal

NOTE: Parents of incoming kindergarten students or new Levittown residents will first need to create a Parent Portal account (instructions enclosed in this packet).

2. On the left menu, click on "Forms"
3. Click on the "Code of Conduct Summary" Form
4. Please read through the summary. A link to the full Code of Conduct is within the form instructions.
5. Provide your electronic signature and click the submit button at the bottom.

NOTE: You may submit once if there is more than one child by clicking the "submit per family button"

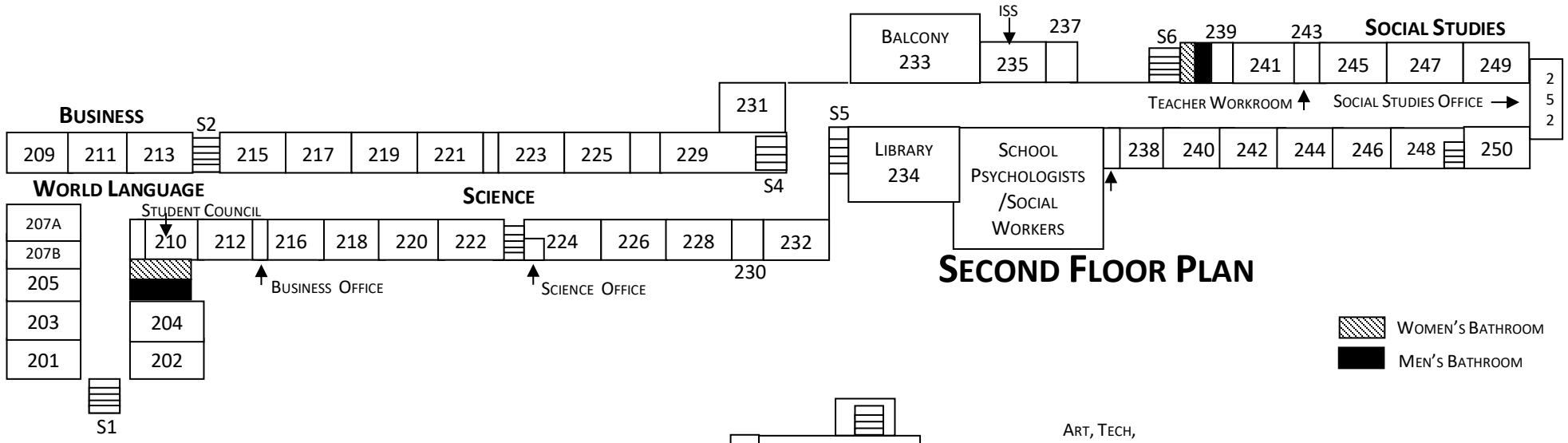
You may submit this form starting Monday, August 28th when the portal opens. If you have any questions, please contact your child's school main office. Thank you for your cooperation.

Sincerely,

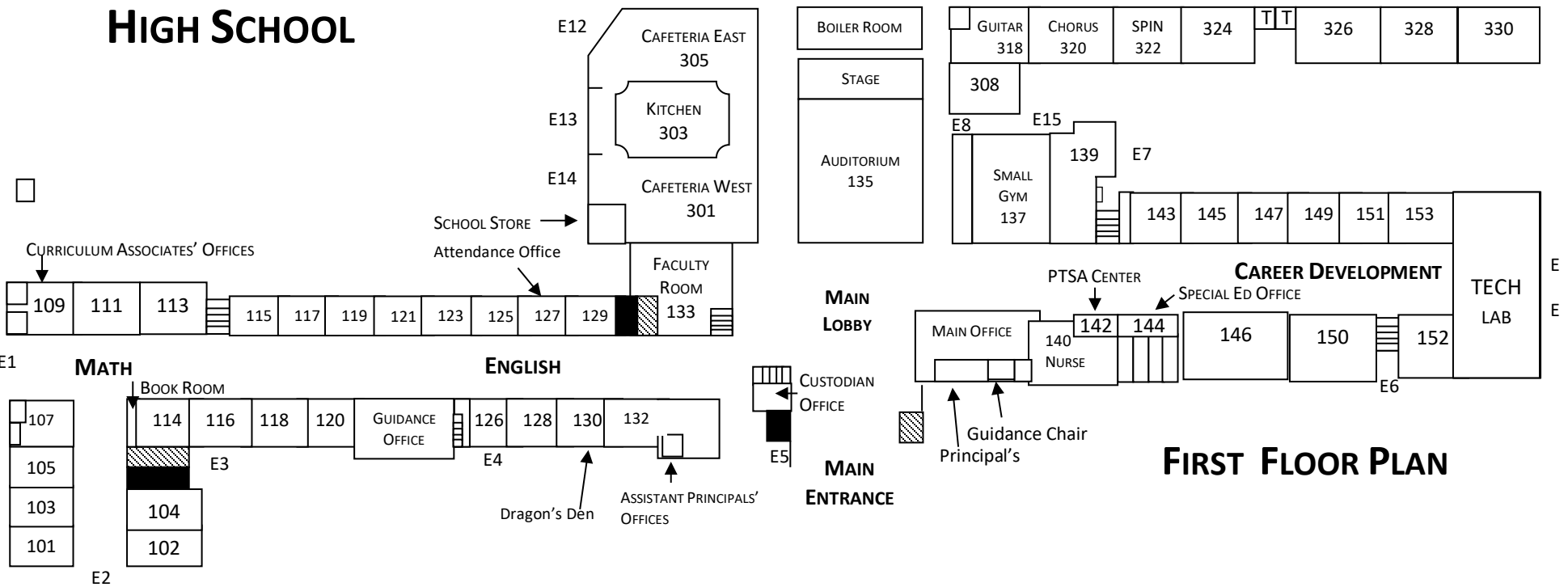
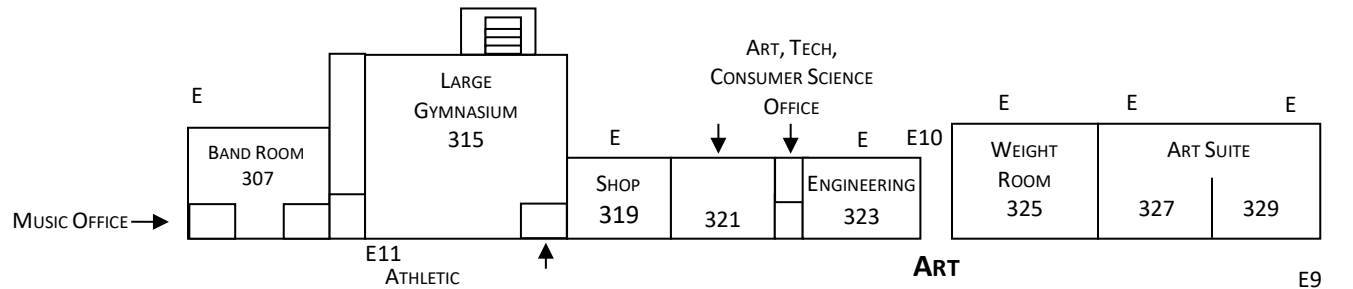
A handwritten signature in black ink, appearing to read 'Debbie Rifkin', with a long horizontal flourish extending to the right.

Debbie Rifkin,  
Assistant Superintendent for Human Resources





# DIVISION AVENUE HIGH SCHOOL



# FIRST FLOOR PLAN



**Division Avenue High School**  
120 Division Avenue  
Levittown, NY 11756-2997  
(516) 434-7150



**John Coscia, Principal**

**Dan Fazio, Assistant Principal**  
**Mark Curtiss, Guidance Chairperson**

**Sam McElroy, Assistant Principal**  
**Christin Snow, Special Education Chairperson**

August 2023

Dear Parent/Guardian,

In order to ensure a safe and orderly environment Division Avenue High School implements a disciplinary "points system" to record behavioral infractions and consequences. Students will accrue points based on the severity of the behavioral infraction and the related consequence (see the table below). Students who accrue an excessive number of points over the course of the school year will be excluded from school activities including Spirit Night, Emmy Night, the school play, both the Junior and Senior Proms, field trips and all sporting events.

| Consequence              | Points    |
|--------------------------|-----------|
| Detention                | 1         |
| Double Detention         | 2         |
| In School Suspension     | 3 per day |
| Out of School Suspension | 3 per day |

If a student receives more than 10 points in the 1st quarter he/she will be excluded from all activities in the second quarter. If a student receives more than 20 points by the end of the 2nd quarter he/she will be excluded from all activities in the 3rd quarter. If a student receives more than 30 points by the end of the 3rd quarter he/she will be banned from all activities in the 4th quarter. Students will have opportunities to reduce their point total over the course of the year. For each month with no disciplinary action students will have three points deducted from their total. In addition, students may be offered opportunities to attend counseling sessions or agree to a behavioral contract to reduce their point total.

Thank you for your cooperation in ensuring that Division Avenue is a safe and orderly environment where every child can succeed.

Sincerely,

A handwritten signature in blue ink, appearing to read 'Dan Fazio'.

Dan Fazio  
Assistant Principal



LEVITTOWN PUBLIC SCHOOLS  
Levittown Memorial Education Center  
150 Abbey Lane  
Levittown, NY 11756



Debbie Rifkin  
Assistant Superintendent for Human Resources  
516-434-7030  
Fax: 516-520-8332

September, 2023

Dear Parents/Guardians,

In 2010, New York State passed the *Dignity for All Students Act (DASA)*. This law went into effect on July 1, 2012 and protects students from harassment, discrimination and bullying by other students or school employees. It stipulates that no student shall be subjected to discrimination based on his or her *actual or perceived* race, color, national origin, ethnic group, gender identity, or biological sex. DASA explicitly states that bullying, taunting, and intimidation on the protected grounds listed above are all forms of harassment; however, it is not limited to those categories.

*Harassment* under DASA is defined as the “creation of a hostile environment by conduct or verbal threats, intimidation or abuse that has or would have the effect of unreasonably and substantially interfering with a student’s education performance, opportunities or benefits, or mental, emotional or physical well-being...”

*Bullying* under DASA is defined as “hostile activity which harms or induces fear through threat of further aggression and/or creates terror”. Bullying may be subtle or easy to identify, done by one person or a group. Bullying often includes a real or perceived power imbalance, intent to harm, threat of further aggression.

*Cyberbullying* under DASA is defined as “the use of technology to harass, threaten, embarrass, or target another person”. Examples of cyberbullying include; mean text messages or emails, rumors sent by email or posted on social networking sites, and embarrassing pictures, videos, websites, or fake profiles.

In response to this new law, and following the recommendation of the NYS School Boards Association, Levittown Public Schools reviewed its policies related to student conduct and social-emotional learning. All necessary updates were made and subsequently approved by the Board of Education. These updates are now included in the Board Policies as well as the Code of Conduct for students and include complaint forms, all of which can be found on the school website on the Board of Education page. The District will continue to review its policies to ensure that the most stringent procedures are in place to deal with these issues.

Dignity Act Coordinators have been appointed in each building. They are the building principal and social workers, who have been specially trained. The process for filing a concern is available on the school website or can be picked up in the main office of your school. Every reported incident of bullying should be recorded and documented.

Dignity Act Training has been given to all employees and will continue throughout the school year. The District will continue to deliver its curriculum to promote civility and citizenship, and as is always the case, a partnership between home and school is essential.

Please continue to visit the school website at [www.levittownschoools.com](http://www.levittownschoools.com) and follow the instructions for continuously updated information.

Sincerely,  
  
Debbie Rifkin  
Civil Rights Compliance Officer





LEVITTOWN PUBLIC SCHOOLS  
Levittown Memorial Education Center  
150 Abbey Lane  
Levittown, NY 11756



**Form A – Parents’ Notification**  
*ESSA Right-to-Know*

Ms. Debbie Rifkin  
Assistant Superintendent for Human Resources  
(516) 434-7030  
Fax: (516) 520-8332

August, 2023

Dear Parent/Guardian,

I am writing in compliance with provisions of the federal ESSA – Every Student Succeeds Act to inform you that, if your child's school receives Title I federal funding, you have a right to request information regarding the qualifications of your child's classroom teacher as well as any paraprofessional staff who may be working to assist your child.

You have a right to know:

- If your child's teacher has met State certification criteria for the current grade level and subject he or she is teaching;
- Whether your child's teacher is teaching under an "emergency" license or temporary status through which state qualification or licensing criteria has been waived;
- The baccalaureate degree major and graduate degree held by the teacher who is currently teaching your child as well as field of discipline of the degree held by the teacher;
- Whether your child is taught by a paraprofessional and if so, the qualifications of this individual.

We will be happy to provide this information to you. Simply fill out the form, which can be accessed on the district website ([www.levittownschoools.com](http://www.levittownschoools.com)). Click on **Parents, More Parent Resources, Parents’ Right to Know Information and Form**. You may print the form, fill it out and mail it to the address below. The requested information will be completed and mailed to you.

Levittown School District  
Att: Department of Human Resources  
Memorial Education Center  
150 Abbey Lane  
Levittown, N.Y. 11756

Sincerely,  
  
Debbie Rifkin



# LEVITTOWN PUBLIC SCHOOLS

**Craig Cammarata**  
**Director of Facilities & Operations**  
**850 Seamans Neck Road**  
**Seaford, NY 11783**  
**516 434-7550**



Initial notification to persons in parental relation and staff

Dear Parent, Guardian and School Staff:

New York State Education Law Section 409-H, effective July 1, 2001, requires all public and nonpublic elementary and secondary schools to provide written notification to all persons in parental relation, faculty and staff regarding the potential use of pesticides periodically throughout the school year. The Levittown School District is required to maintain a list of persons in parental relation, faculty and staff who wish to receive 48-hour written notification of certain pesticide applications. The following pesticide applications are not subject to prior notification requirements:

- A school remains unoccupied for a continuous 72 hours following an application
- Anti-microbial products
- Nonvolatile rodenticides in tamper resistant bait stations in areas inaccessible to children
- Nonvolatile insecticidal baits in tamper resistant bait stations in areas inaccessible to children
- Silica gel and other nonvolatile ready-to-use pastes, foams or gels in areas inaccessible to children
- Boric acid and disodium octaborate tetrahydrate
- The application of EPA designated biopesticides
- The application of EPA designated exempt materials under 40CFR152.25
- The use of aerosol products with a directed spray in containers of 18 fluid ounces or less when used to protect individuals from an imminent threat from stinging and biting insects including venomous spiders, bees, wasps and hornet.

In the event of an emergency application necessary to protect against an imminent threat to human health, a good faith effort will be made to supply written notification to those on the 48-hours prior notification list. If you would like to receive 48-hour prior notification of pesticide applications that are scheduled to occur in your school, please complete the form below and return it to the Levittown School District, Director of Facilities, Craig Cammarata, 850 Seaman’s Neck Road, Seaford, NY 11783, Phone 516-434-7555, Fax# 516-520-8347 [CCammarata@Levittownschoools.com](mailto:CCammarata@Levittownschoools.com).

|  |               |                |
|--|---------------|----------------|
| Levittown Public Schools<br>Request for Pesticide Application Notification |               |                |
| School Building Name:  |               |                |
| Name:  |               | Address:       |
| Day Phone:   | Evening Phone | Email Address: |

**PLEASE PRINT CLEARLY & LEGIBLY**

Please feel free to contact Craig Cammarata, Levittown Public Schools Director of Facilities at one of the following:

Buildings & Grounds Office – 850 Seaman’s Neck Road, Seaford, NY 11783  
Phone: 516-434-7550                      Fax#: 516-520-8347                      Email Address: [CCammarata@Levittownschoools.com](mailto:CCammarata@Levittownschoools.com).

DIVISION AVENUE  
H.S.  
BELL SCHEDULE

**Period 1** 7:27 – 8:14  
(HOMEROOM) 8:09 – 8:14 AM ANNOUNCEMENTS

**Period 2** 8:18 – 9:00

**Period 3** 9:04 – 9:46

**Period 4** 9:50 – 10:32  
(LUNCH)

**Period 5** 10:36 – 11:18  
(LUNCH)

**Period 6** 11:22 – 12:04  
(LUNCH)

**Period 7** 12:08 – 12:50  
(LUNCH)

**Period 8** 12:54 – 1:36

**Period 9** 1:40 – 2:25  
(PM ANNOUNCEMENTS 1:40 – 1:43)

DIVISION AVENUE  
H.S.  
DELAYED BELL  
SCHEDULE

|                            |                      |
|----------------------------|----------------------|
| <b>Period 1</b>            | <b>9:27 – 9:59</b>   |
| <b>Period 2</b>            | <b>10:03 – 10:32</b> |
| <b>Period 3</b>            | <b>10:36 – 11:05</b> |
| <b>Period 4</b><br>(LUNCH) | <b>11:09 – 11:38</b> |
| <b>Period 5</b><br>(LUNCH) | <b>11:42 – 12:11</b> |
| <b>Period 6</b><br>(LUNCH) | <b>12:15 – 12:44</b> |
| <b>Period 7</b><br>(LUNCH) | <b>12:48 – 1:17</b>  |
| <b>Period 8</b>            | <b>1:21 – 1:50</b>   |
| <b>Period 9</b>            | <b>1:54 – 2:25</b>   |



**Division Avenue High School**  
120 Division Avenue  
Levittown, NY 11756-2997  
(516) 434-7150



---

**John Coscia, *Principal***

**Daniel Fazio, *Assistant Principal***  
**Mark Curtiss, *Guidance Chairperson***

**Sam McElroy, *Assistant Principal***  
**Christin Snow, *Special Ed Chairperson***

September 2023

Dear Seniors and Parents/Guardians,

The Division Avenue High School yearbook staff for the Class of 2024 brings your attention to the following enclosures:

- Parent Ad Information
- Photo submission information

Please take note of deadlines and websites to visit, which are listed on the enclosed documents. For questions regarding Parent Ads, please call Jostens at (800) 353-0800. Any other questions can be emailed to [gsagistano@levittownschoools.com](mailto:gsagistano@levittownschoools.com) or [m2rao@levittownschoools.com](mailto:m2rao@levittownschoools.com)

Your consideration of deadline dates is much appreciated. The senior class yearbook staff thanks you in advance, and is looking forward to a great senior year recorded in an outstanding yearbook.

Sincerely,

Gregory Sagistano  
Megan Rao  
Yearbook Advisors

*Division Avenue High School*  
***Pride ~ Honor ~ Commitment***





Division Avenue High School  
120 Division Avenue  
Levittown, NY 11756-2997  
(516) 434-7150



---

John Coscia, *Principal*

Daniel Fazio, *Assistant Principal*

Mark Curtiss, *Guidance Chairperson*

Sam McElroy, *Assistant Principal*

Christin Snow, *Special Ed Chairperson*

## **Photo Information and Deadlines**

### **Photo Information:**

- The yearbook is in need of the following pictures:
  - Baby Photos
  - Elementary School
  - Middle School
  - High School
  - Sports Pictures
  - Then and Now
  
- Please join the Yearbook Picture Submission Google Classroom. The Google Classroom will not be live until the first day of school.
  
- The only way that photos for the above categories will be accepted is through the Yearbook Picture Submission Google Classroom. You may attach your pictures in a **JPEG Format** to the respective assignment on the Google Classroom.
  
- Please use the following join code to become part of the Google Classroom.
  - **Join code: 3ghghhe**
  
- **Labeling and Categorizing Pictures: In assignments on the Google Classroom, please include your child's name and what type of pictures are including.**
  
- ***Pictures that are not sent in this format will not be used!***
  
- Once photos are received, you will receive a confirmation on the Google Classroom.
  
- Please note that only appropriate photos will be considered for the yearbook!
  
- **All pictures for the above categories must be submitted by Friday, October 20, 2023. The yearbook staff has strict deadlines to follow, and no pictures will be accepted after this date.**



**Division Avenue High School**  
120 Division Avenue  
Levittown, NY 11756-2997  
(516) 434-7150



---

**John Coscia, Principal**

**Daniel Fazio, Assistant Principal**

**Mark Curtiss, Guidance Chairperson**

**Sam McElroy, Assistant Principal**

**Christin Snow, Special Ed Chairperson**

**Parent Advertisements:**

- Yearbook ads let your child know how proud you are, in a lasting and memorable way. Select some of your favorite photos,
- Choose a layout, add your personal message, and you're in!
- Prices depend on what size page you choose
- ***Parent Advertisements are bought directly through Jostens. For more information regarding Parent Ads, please visit [Jostens.com](http://Jostens.com)***



**Division Avenue High School**  
 120 Division Avenue  
 Levittown, NY 11756-2997  
 (516) 434-7150



**John Coscia, Principal**

**Daniel Fazio, Assistant Principal**  
**Mark Curtiss, Guidance Chairperson**

**Sam McElroy, Assistant Principal**  
**Christin Snow, Special Ed Chairperson**

August 2023

Dear Parents and Students,

Lifetouch photographers will be at Division Ave High School on the following dates, during the 2023-24 school year, to take underclassmen photos and senior portraits.

| <b>9<sup>th</sup>, 10<sup>th</sup> and 11<sup>th</sup> Grade Photos (taken during physical education classes)</b> |             |
|---|-------------|
| 2024 Yearbook Photos  | 9/12 & 9/13 |
| 2024 Yearbook Photo Retakes   | 10/25       |

| <b>Senior Class Photos (by appointment)</b> |             |
|---|-------------|
| 2024 Yearbook Cap and Gown/Portrait Retakes | 9/13 & 9/14 |
| Group Photo – Football Field                | 9/20        |

| <b>*Junior Class Photos (by appointment)</b> |             |
|--|-------------|
| 2025 Yearbook Cap and Gown/Portraits         | 4/16 – 4/19 |
| 2025 Yearbook Cap and Gown/Portraits Retakes | 5/30 & 5/31 |

*\*These photos are for the Class of 2025 yearbook. You will receive information about scheduling the appointment as we get closer to the dates.*

Please mark these dates on your calendar and feel free to contact me with any questions that you may have.

Sincerely,

Sam McElroy  
 Assistant Principal

*Division Avenue High School*  
**Pride ~ Honor ~ Commitment**



**LEVITTOWN PUBLIC SCHOOLS**  
Levittown Memorial Education Center  
150 Abbey Lane  
Levittown, NY 11756



*Success for Every Student*

Dr. Beth Ziropiannis  
Assistant Superintendent for Curriculum and Instruction  
516-434-7025  
Fax: 516-520-8408

Dear Parents/Guardians:

We are adopting ParentSquare as our new student/parent communication system for the 2023-2024 school year. ParentSquare will be replacing ConnectEd. To ensure that we have the most accurate contact information for every student, please review and update your cell phone number and email address in the PowerSchool Parent Portal. In addition, now would be an excellent time to update your child's emergency contacts and medical information.

For high school students, we are requesting that you include your child's cell phone number as well. This too, must be submitted through the PowerSchool Parent Portal. This will allow us to send messages to students via ParentSquare in case of an emergency. By providing your child's number, we can help ensure the safety of all of our students.

Please refer to the "Update Contact and Medical Information Instructions" page enclosed which will provide the necessary steps to update any or all of the information mentioned. The "Contact and Medical Verification" page, also enclosed, will provide you with what is currently in our database to review.

Thank you for your assistance. Enjoy the rest of the summer.

Sincerely,

Dr. Beth Ziropiannis  
Assistant Superintendent for Curriculum and Instruction

BZ/sg

## UPDATE CONTACT AND MEDICAL INFORMATION INSTRUCTIONS

All information in the form above must be updated in the ParentPortal. You may continue to update this information throughout the school year by resubmitting the forms in the portal.

To update, complete the following steps:

**1. Log into Parent Portal**

**NOTE: Parents of incoming kindergarten students or new Levittown residents will first need to create a Parent Portal account (instructions enclosed in this packet).**

**2. On the left menu, click on "Forms"**

**3. There are several separate forms to complete depending on what information you are updating:**

**"Update Contact Information" For Parent 1, Parent 2 or Guardian (Each a separate form)**

If you are listed on this form as Parent 1, Parent 2 or Guardian, select the matching Update Contact Information Form to update your own phone/e-mail information.

**"Update Other Contacts Information"**

This form is for updating the 3 "Other Contacts" with their phone and relationship to the child.

**"Update Medical Information"**

This form is for updating your child's medical background information.

**"Update Student Cell Phone"**

Although cell phone numbers will only be used for High School Level children, a cell phone number may be submitted for any student. Students will have access to this form if they wish to update their number on their own.

**4. Complete each form as needed. Follow the instructions provided within each of the forms.**

**5. Be sure to include your electronic signature and click submit at the end of each form.**

**The cell phone and e-mail provided in the Update Contact Information for Parent 1, Parent 2 or Guardian will sync with your ParentSquare information. The process may take 1-2 business days to complete.**

You may submit information starting **Monday, August 28th** when the portal opens.

If you have any questions, please contact your child's school main office.

Thank you for your cooperation.





**LEVITTOWN PUBLIC SCHOOLS**  
Levittown Memorial Education Center  
150 Abbey Lane  
Levittown, New York 11756



Central Registration  
516-434-7058

Dear Parents,

The Board of Education has included Publications as one of its goals. We have a public relations process in place that calls for the ongoing submissions of articles to the local papers. Sometimes photographs are submitted with articles. Television coverage of special events is also a possibility.

The Levittown Public School District is striving to maintain a high level of security for your child regarding web site development. We wish to use individual photos or group photos on our website. The photograph would be in the context of a school-related activity such as a class project, award or honor, sport, club or student government activity. No personal information such as home address or phone number will be published.

-----  
Student Name \_\_\_\_\_

School \_\_\_\_\_

My child \_\_\_\_\_ **Can be** Photographed and/or picture placed on Levittown School's website

My child \_\_\_\_\_ **Can Not be** Photographed and/or picture placed on Levittown School's website

\*Please note your child's name generally does not appear.

\_\_\_\_\_  
Parent Signature

\_\_\_\_\_  
Date

**As the parent or legal guardian of the student signing above, I have read the District's Networks and Internet Acceptable Use Policy and grant permission for my son/daughter to access the Internet. I understand that the district's computing resources are designed for educational purposes. I also understand that it is impossible for Levittown School District to restrict access to all controversial materials and I will not hold them responsible for materials acquired on the network. I understand that individuals and families may be held liable for violations. Furthermore, I accept full responsibility for supervision of and when my child's use is not in a school setting.**

\_\_\_\_\_  
Parent Signature

\_\_\_\_\_  
Date

If at any time, in the future, you wish to withdraw this consent, you may do so via written notification to your child's building principal.

**Division Avenue High School**  
**COUNSELOR ASSIGNMENTS 2023-2024**

| <b><u>COUNSELOR</u></b>    | <b><u>Grade 9</u></b> | <b><u>Grade 10</u></b> | <b><u>Grade 11</u></b> | <b><u>Grade 12</u></b> |
|----------------------------|-----------------------|------------------------|------------------------|------------------------|
| <b>Thompson, Beth</b>      | <b>A - D</b>          | <b>A - Col</b>         | <b>A - Da</b>          | <b>A - C</b>           |
| <b>Palumbo, Danielle</b>   | <b>E - Ko</b>         | <b>Con - G</b>         | <b>De - Ha</b>         | <b>D - Ha</b>          |
| <b>Shapiro, Elizabeth</b>  | <b>Kr - M</b>         | <b>H - Mi</b>          | <b>He- Mi</b>          | <b>He - M</b>          |
| <b>Castellano, Lynn</b>    | <b>N -Sa</b>          | <b>Mo - Sa</b>         | <b>Mo - Rob</b>        | <b>N - Sa</b>          |
| <b>Defendini, Sharlene</b> | <b>Sc - Z</b>         | <b>Sc - Z</b>          | <b>Rod - Z</b>         | <b>Sc - Z</b>          |



LEVITTOWN PUBLIC SCHOOLS  
Levittown Memorial Education Center  
150 Abbey Lane  
Levittown, NY 11756



Kerin L. Slattery, Ed.D  
Director ELA, Secondary Reading  
& Library Services  
516-434-7222  
[Kslattery@levittownschoos.com](mailto:Kslattery@levittownschoos.com)

August 2023

Dear Levittown Families of Incoming 9<sup>th</sup> Graders,

It is hard to believe that we only have a few short weeks left of the summer. With that being said, this is a reminder that there are Summer Reading assignments that have been posted on the home pages of the high schools as well as the Summer Reading link on the district home page. We are utilizing the Summer Reading to make it part of the students' core curriculum when they enter their new grade in the fall.

The requirement that we ask of your child is to read the assigned book Refugee by Alan Gratz. Students must read thoughtfully and be prepared to come into class on September 5, 2023 ready to discuss, share, and write about what they read on this assigned book. Simply skimming the book will not be acceptable. Students are encouraged to use post-its and complete the double-entry chart found on the back of this letter, and on the website, to gather thoughts and quotes that resonate with them along the way. Please do not highlight or annotate in these books.

The first unit in the 9<sup>th</sup> grade English class will be based upon the assigned Summer Reading book. As such, the reading must take place prior to the start of classes. First quarter grades will be based, in part, on the class activities and assessments that are associated with the summer reading assignment.

Thank you for your support and encouragement with this initiative. This will help us succeed in getting our students prepared for their new grade level in the fall and encourage the love of reading. Enjoy these remaining weeks of summer.

Sincerely,

A handwritten signature in cursive script that reads 'Dr. K. Slattery'.

Kerin L. Slattery, Ed.D  
Director of English,  
Secondary Reading & Library Services

*Success For Every Student*



**LEVITTOWN PUBLIC SCHOOLS**  
Levittown Memorial Education Center  
150 Abbey Lane  
Levittown, NY 11756



Kerin L. Slattery, Ed.D  
Director ELA, Secondary Reading  
& Library Services  
(516) 434-7222  
kslattery@levittownschoools.com

August 2023

Dear Levittown Families of Incoming 10<sup>th</sup> and 11<sup>th</sup> graders,

It is hard to believe that we only have a few short weeks left of the summer. With that being said, this is a reminder that there are Summer Reading assignments that have been posted on the home pages of the high schools as well as the Summer Reading link on the district homepage. We are utilizing the Summer Reading to maintain routine and consistency for our students.

Students will engage in an independent reading experience where they will choose their own book to read from the suggested reading list for each grade level. Please find the suggested reading list per grade level on the district website as well as on your high school's homepage.

Students must read their chosen book thoughtfully and be prepared to come into class on September 5, 2023 ready to discuss, share, and write about what they read on their chosen book. Simply skimming the book will not be acceptable. Students are encouraged to use post-its as they read as this helps with their critical analysis and comprehension of what they read.

The double entry journal, found on the district homepage, is expected to be completed and handed into the student's English teacher upon the commencement of the 2023-24 school year.

The first unit in your English class will include a written assignment based upon your chosen summer reading book. As such, the reading must take place prior to the start of classes. First quarter grades will include class activities and written assessments that are associated with your chosen summer reading book.

Thank you for your support and encouragement with this initiative. This will help us succeed in getting our students prepared for their new grade level in the fall and encourage the love of reading. Enjoy these remaining weeks of summer.

Sincerely,

Kerin L. Slattery, Ed.D  
Director of English,  
Secondary Reading & Library Services



**LEVITTOWN PUBLIC SCHOOLS**  
Levittown Memorial Education Center  
150 Abbey Lane  
Levittown, NY 11756



Kerin L. Slattery, Ed.D  
Director of ELA, Secondary Reading  
& Library Services  
516-434-7222  
[kslattery@levittownschoools.com](mailto:kslattery@levittownschoools.com)

August, 2023

Dear Levittown Families of Incoming 10 Pre-AP and 12<sup>th</sup> Grade Students,

It is hard to believe that we only have a few short weeks left of the summer. With that being said, this is a reminder that there are summer reading assignments that have been posted on the home pages of the high schools as well as the **Summer Reading** banner on the district home page. We are utilizing the summer reading as part of the students' core curriculum when they enter their new grade in the fall.

Students entering 10 Pre-AP and 12<sup>th</sup> grade English courses will read an assigned book. The 10 Pre-AP students were assigned the book *Outliers* by Malcom Gladwell and are to complete the double entry chart found on the district home page and your high school's homepage. For the 12th grade College Writing course, students were assigned a book entitled *When I Was Your Age* edited by Amy Ehrlich. For the 12th grade English Literature course, students were assigned *Monsters: A Bedford Spotlight Reader* by Andrew J. Hoffman. These books were handed out to the students by their high school librarian. Please do not highlight or annotate in these books.

Students must read their assigned books thoughtfully and be prepared to come into class on September 5, 2023 ready to discuss, share, and write about what they read in their assigned book. Simply skimming the book will not be acceptable. Students are encouraged to use post-its as they read as this helps with their critical analysis and comprehension of what they read. The assigned 12th grade assignments can be found on the district home page and your high school's home page and are expected to be completed and handed into the student's English teacher upon the commencement of the 2023-24 school year.

The first unit in your English class will be based upon the assigned summer reading book. As such, the reading must take place prior to the start of classes. First quarter grades will be based, in part, on the class activities and assessments that are associated with the summer reading assignment.

Thank you for your support and encouragement with this initiative. This will help us succeed in getting our students prepared for their new grade level in the fall and encourage the love of reading. Enjoy these remaining weeks of summer.

Sincerely,

Kerin L. Slattery, Ed.D  
Director of English,  
Secondary Reading & Library Services

*Success For Every Student*



NAME \_\_\_\_\_ DATE \_\_\_\_\_

## DOUBLE-ENTRY CHART FOR CLOSE READING

**Directions:** Use the chart below as you read to record and consider the aspects that you find most important or interesting. First, on the left side, note a specific line or detail from the text; next, on the right side, tell what you noticed about it, why you chose it, or what questions it raises for you.

| Notable Quote or Detail From the Text | Your Observation, Comment or Question |
|---------------------------------------|---------------------------------------|
|                                       |                                       |
|                                       |                                       |
|                                       |                                       |
|                                       |                                       |
|                                       |                                       |





**LEVITTOWN PUBLIC SCHOOLS**  
Levittown Memorial Education Center  
150 Abbey Lane  
Levittown, NY 11756



*Success for Every Student*

Dr. Beth Ziropgiannis  
Assistant Superintendent for Curriculum and Instruction  
516-434-7025  
Fax: 516-520-8408

To the Parents of 11<sup>th</sup> and 12<sup>th</sup> grade students,

According to Every Student Succeeds Act of 2015, student information (name, address, phone number) must be released to the United States Armed Forces and post-secondary educational institutions upon request. A secondary school student or the parent of a student may request that the information not be released without prior written parental consent. The district will comply with all such requests.

Parents wishing to exercise their option to withhold their consent to release student information to military recruiters and institutions of higher learning must sign and return the attached form to the high school guidance department on or before September 8, 2023. Otherwise the district will provide the information to these organizations upon request.

Sincerely,

Dr. Beth Ziropgiannis  
Assistant Superintendent for Curriculum and Instruction

cc: High School Principals  
High School Guidance Chairpersons

---

**Please return to your high school guidance department on or before September 8, 2023.**

Please do not release student information to the United States Armed Forces or post-secondary educational institutions without prior written parental consent.

Student Name \_\_\_\_\_ Grade \_\_\_\_\_

Student Address \_\_\_\_\_ Phone \_\_\_\_\_

Parent Name (print) \_\_\_\_\_

Student or Parent Signature \_\_\_\_\_ Date \_\_\_\_\_



**Division Avenue High School**  
120 Division Avenue  
Levittown, NY 11756-2997  
(516) 434-7150



---

**John Coscia, Principal**

**Daniel Fazio, Assistant Principal**  
**Mark Curtiss, Guidance Chairperson**

**Sam McElroy, Assistant Principal**  
**Christin Snow, Special Ed Chairperson**

August 2023

Dear Senior Students and Parents,

As we draw closer to the start of school on September 5th, we are anxiously preparing for what we hope will be a special senior year and one that you will treasure for the rest of your life.

Your senior year is filled with momentous occasions and many opportunities to enjoy wholesome fun at Division Avenue High School, such as Emmy Night, Spirit Night, Spirit Week, Homecoming, Senior Prom, Senior Barbecue, and of course Graduation.

I would like to make note that the recent addition of "senior sunrise" is not a school-sponsored event and we expect students to attend school on the first day ready to learn.

We are anticipating a smooth start to the school year on our first day, September 5th - a day that sets the tone for a fantastic school year that will encompass achievements in the arts, athletics and academics. Your teachers are excited to meet you, if they have not already, and are ready to make your senior year at Division Avenue High School an extraordinary one.

I look forward to seeing you again.

A handwritten signature in black ink, appearing to read 'John Coscia', written over a horizontal line.

John Coscia  
Principal

JC:dc

*Division Avenue High School*  
**Pride ~ Honor ~ Commitment**

# DIVISION AVENUE



# PTSA

Division Avenue High School PTSA—120 Division Ave. Levittown, NY 11756

516-434-7150 • [levittownschools.com/division/pta](http://levittownschools.com/division/pta)

Instagram: [dahs\\_ptsa](https://www.instagram.com/dahs_ptsa) • Facebook: Division Avenue High School PTSA

## Division Ave. Parent, Teacher, Student Association Membership

The Division Avenue High School PTSA welcomes you to a new school year and encourages all parents, guardians, teachers, and students to join our PTSA. Our monthly meetings begin in September.

- Join millions of others who advocate for laws that further the education, physical and mental health, welfare, and safety of our children.
- Attend meetings to hear from our executive board as well as the school administrators about upcoming events, school curriculum, and school activities

## Eligibility Requirements for PTSA SENIOR AWARD

**SENIORS:** Must be paid PTSA members by February 1st, 2024 **AND** must make a donation to our Sweeps Fundraiser by 3/1/24 (separate check made out to DAHS PTSA Senior Award Fund) **OR** volunteer for Sweeps. Students also must have been a PTSA member at least one additional year prior to their senior year.

**FRESHMAN, SOPHOMORES & JUNIORS:** To be eligible to receive the award in their senior year, students must be a PTSA member at least one of the years prior to senior year. Thereafter, Senior Award rules apply. Membership is strongly encouraged every year to stay informed of all PTSA happenings.

---

**Adult and Staff price \$10 each. Student price \$5 each.**

**Please use the below link OR scan the QR code to register online**

All registrations (except seniors) should be completed by June 3rd, 2024

<https://dahsptsa.memberhub.com/store?limit=21&live=true&category=Memberships>

If you have any questions or concerns, please contact Cheryl Denecke

Phone: 516-967-0789

Email: [cradical88@aol.com](mailto:cradical88@aol.com)



# Get Your Dragon Gear!

NAME \_\_\_\_\_

Phone Number \_\_\_\_\_

| ITEM   | PRICE              | COLOR<br>(circle one)    | S                 | M | L | XL | XXL |
|--|--------------------|--------------------------|-------------------|---|---|----|-----|
| FRONT ZIP HOODIE<br>S – XL                                     | \$40.00            | BLUE<br>GRAY<br>WHITE    |                   |   |   |    |     |
| FRONT ZIP HOODIE<br>XXL  | \$42.00            | BLUE<br>GRAY<br>WHITE    |                   |   |   |    |     |
| SWEATPANTS S - XL  | \$30.00            | BLUE<br>GRAY             |                   |   |   |    |     |
| SWEATPANTS XXL   | \$32.00            | BLUE<br>GRAY             |                   |   |   |    |     |
| HOODED PULLOVER<br>SWEATSHIRT S - XL                           | \$30.00            | BLUE<br>GRAY             |                   |   |   |    |     |
| HOODED PULLOVER<br>SWEATSHIRT XXL                              | \$32.00            | BLUE<br>GRAY             |                   |   |   |    |     |
| T-SHIRT (Short Sleeves)<br>S – XL                              | \$12.00            | BLUE<br>GRAY             |                   |   |   |    |     |
| T-SHIRT (Short Sleeves)<br>XXL                                 | \$15.00            | BLUE<br>GRAY             |                   |   |   |    |     |
| T-SHIRT (Long Sleeves)<br>S – XL                               | \$20.00            | BLUE<br>GRAY             |                   |   |   |    |     |
| T-SHIRT (Long Sleeves)<br>XXL                                  | \$22.00            | BLUE<br>GRAY             |                   |   |   |    |     |
| Ladies V-Neck t-shirt  | \$15.00            | BLUE                     |                   |   |   |    |     |
| Pennant Athletic<br>Sweatshorts                                | \$28.00            | Gray with<br>Royal print |                   |   |   |    |     |
| Short Sleeve Polo Shirt<br>(Dri-Fit with collar) S – XL<br>XXL | \$30.00<br>\$35.00 | BLUE                     |                   |   |   |    |     |
| Skull Caps   | \$15.00            | BLUE                     | One Size Fits All |   |   |    |     |
| Pom Pom Hats   | \$20.00            | Blue/Gray<br>Striped     | One Size Fits All |   |   |    |     |
| Baseball Caps  | \$18.00            | BLUE<br>GRAY             | S-M or M-L        |   |   |    |     |



# Get Your Dragon Gear!

Name: \_\_\_\_\_

Phone Number: \_\_\_\_\_

|   |                         |
|---|-------------------------|
| # of Front Zip Hoodies                  | _____ x \$40 = \$ _____ |
| # of Front Zip Hoodies (XXL)            | _____ x \$42 = \$ _____ |
| # of Sweatpants                         | _____ x \$30 = \$ _____ |
| # of Sweatpants (XXL)                   | _____ x \$32 = \$ _____ |
| # of Hooded Pullover Sweatshirts        | _____ x \$30 = \$ _____ |
| # of Hooded Pullover Sweatshirts (XXL)  | _____ x \$32 = \$ _____ |
| # of T-Shirts (Short Sleeves)           | _____ x \$12 = \$ _____ |
| # of T-Shirts (Short Sleeves XXL)       | _____ x \$15 = \$ _____ |
| # of V-Neck T-Shirts                    | _____ x \$15 = \$ _____ |
| # of T-Shirts (Long Sleeve)             | _____ x \$20 = \$ _____ |
| # of T-Shirts (Long Sleeve XXL)         | _____ x \$22 = \$ _____ |
| # of Shorts                             | _____ x \$28 = \$ _____ |
| # of Baseball Hats                      | _____ x \$18 = \$ _____ |
| # of Skull Caps                         | _____ x \$15 = \$ _____ |
| # of Pom Pom Hats                       | _____ x \$20 = \$ _____ |
| # of Short Sleeve Polo Shirts           | _____ x \$30 = \$ _____ |
| # of Short Sleeve Polo Shirts (XXL)     | _____ x \$35 = \$ _____ |
| # of Short Sleeve Polo Shirts (Dri Fit) | _____ x \$30 = \$ _____ |

**TOTAL** \$ \_\_\_\_\_

PLEASE SEND IN PAYMENT WITH YOUR ORDER FORM

**PLEASE MAKE CHECKS PAYABLE TO *DAHS***

If you have any questions, email [Lmarazzo@levittownschools.com](mailto:Lmarazzo@levittownschools.com)

or call (516) 434-7160

**THANK YOU FOR YOUR SUPPORT!**



Welcome to the 2023 -2024 school year! Levittown SEPTA almost **doubled** our membership last year. Support is really growing for the special education students of the district! Membership links are below with an option to submit a paper copy of this form, if preferred.

Teacher/Staff Membership: <https://levittownsepta.memberhub.com/store/items/8417>



Standard Membership - <https://levittownsepta.memberhub.com/store/items/8407>



Student Membership - <https://levittownsepta.memberhub.com/store/items/8415>



**If you would prefer to send in a paper copy of the form, please fill out the information below and return to: Levittown SEPTA, Levittown Memorial Education Center, 150 Abbey Lane, Levittown, NY 11756.**

**Name(s):** \_\_\_\_\_

**Address:** \_\_\_\_\_

**Phone Number:** \_\_\_\_\_

**Email:** \_\_\_\_\_

**DUES (\$12 / Member) \_\_\_\_\_ X \$12.00 = \_\_\_\_\_**

**I am a.... ( ) Parent ( ) Teacher ( ) Administrator ( ) Student ( ) Other**

**Checks payable to Levittown SEPTA**



**LEVITTOWN PUBLIC SCHOOLS**  
Transportation Department  
3816 Hunt Road  
Wantagh, NY 11793

*"Success for Every Student"*



Phone (516) 434-7589

Fax (516) 520-8348

## **Town of Hempstead School Bus Safety Program Launch**

Dear Parent,

As our students return to school this September, Levittown Public Schools is proud to announce the start of a new School Bus Safety Program in partnership with the Town of Hempstead, and in line with NYS Vehicle and Traffic Law 1174-A.

As part of the program, all Levittown owned school buses will be outfitted with safety technology to make the ride to and from school safer for everyone. This technology includes stop-arm enforcement cameras designed to detect vehicles that illegally pass stopped school buses while the bus's stop sign arm and red lights are engaged. The Town then reviews the footage to determine whether to issue a violation by mail.

The safety of our Levittown children is, and always will be, our top priority. The New York Association for Pupil Transportation estimates that motorists illegally pass stopped school buses in New York State 50,000 times a day, and Levittown is no exception. Over time, this safety initiative seeks to curb dangerous driving behavior around school buses.

All this technology has been provided at zero cost to the school district and its taxpayers. This program is 100% violator funded.

If you would like more information, we invite you to review it on our district website at [www.levittownschoools.com](http://www.levittownschoools.com).

We look forward to seeing you this fall for the return to school!

A handwritten signature in black ink, appearing to read 'Dajuana Reeves-Alston'.

Dajuana Reeves-Alston  
Supervisor of Transportation

# PLEASE

## DON'T PASS A STOPPED SCHOOL BUS

### **Car Drives Around Bus and Kills Girl, 7**



- It's against the law
  - It could result in serious fines
  - It could result in a license suspension
- And it could result in something much, much worse